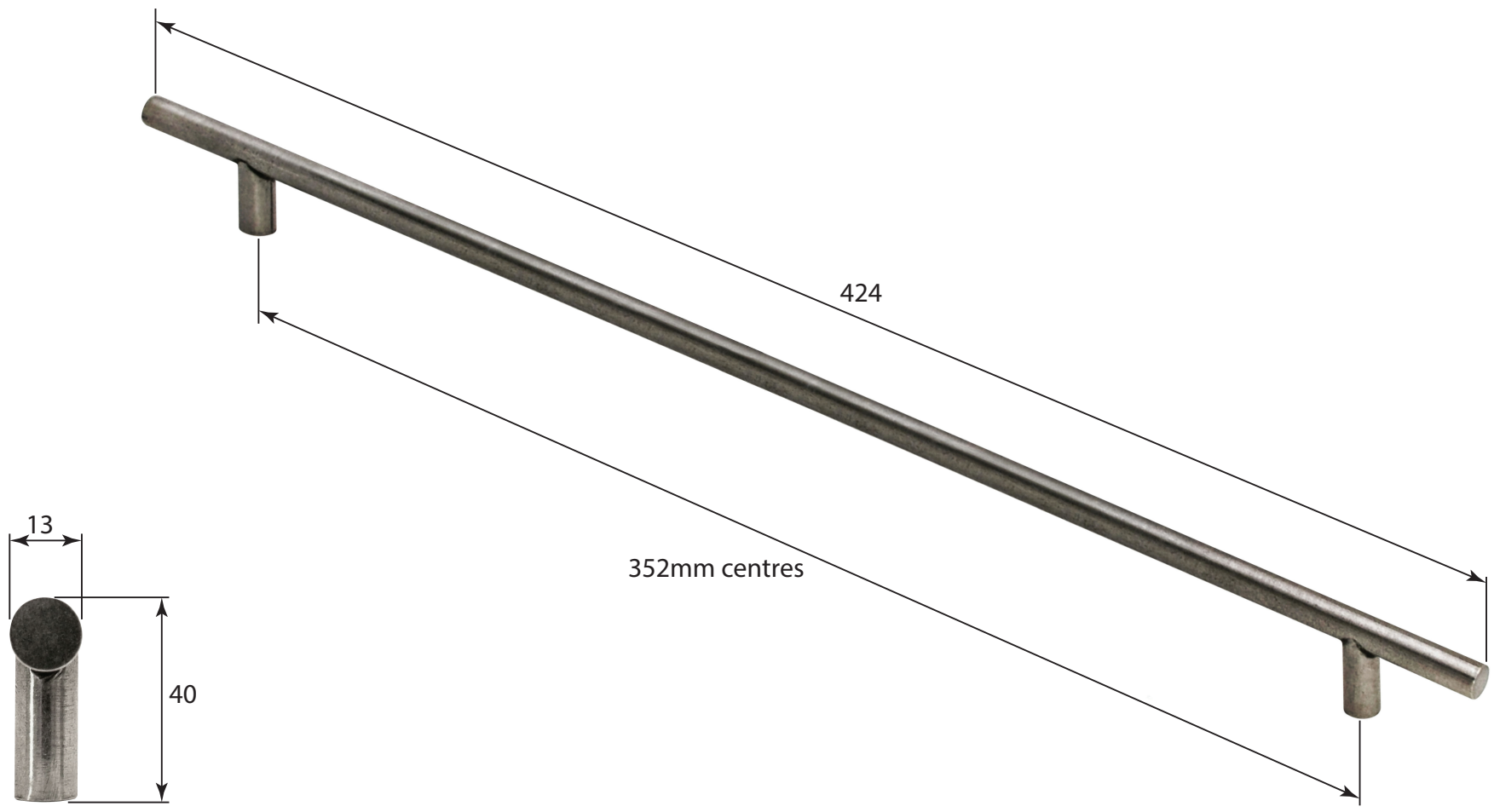


P/N. BH016

ALL DIMENSIONS IN
MM UNLESS STATED

THE CONTENTS OF THIS DRAWING ARE COPYRIGHT AND SHOULD NOT BE
REPRODUCED WITHOUT THE PERMISSION OF DJH ENGINEERING



					QTY
			DESCRIPTION		DRG.
			BH016 Brompton Bar Handle (352mm centres).		DATE
1	06/09/18		LT REF.	H:\Finess & Stonebridge Handle Hardware\Finesse\Dim Dwgs\BH016.pdf	SCALE
ISSUE	DATE	REVISION	MATL.	Pewter	CODE
					N/A
					BH016