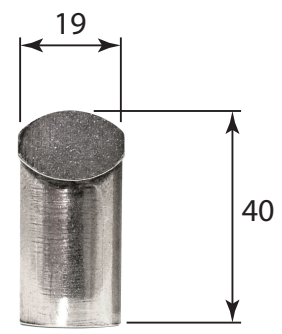
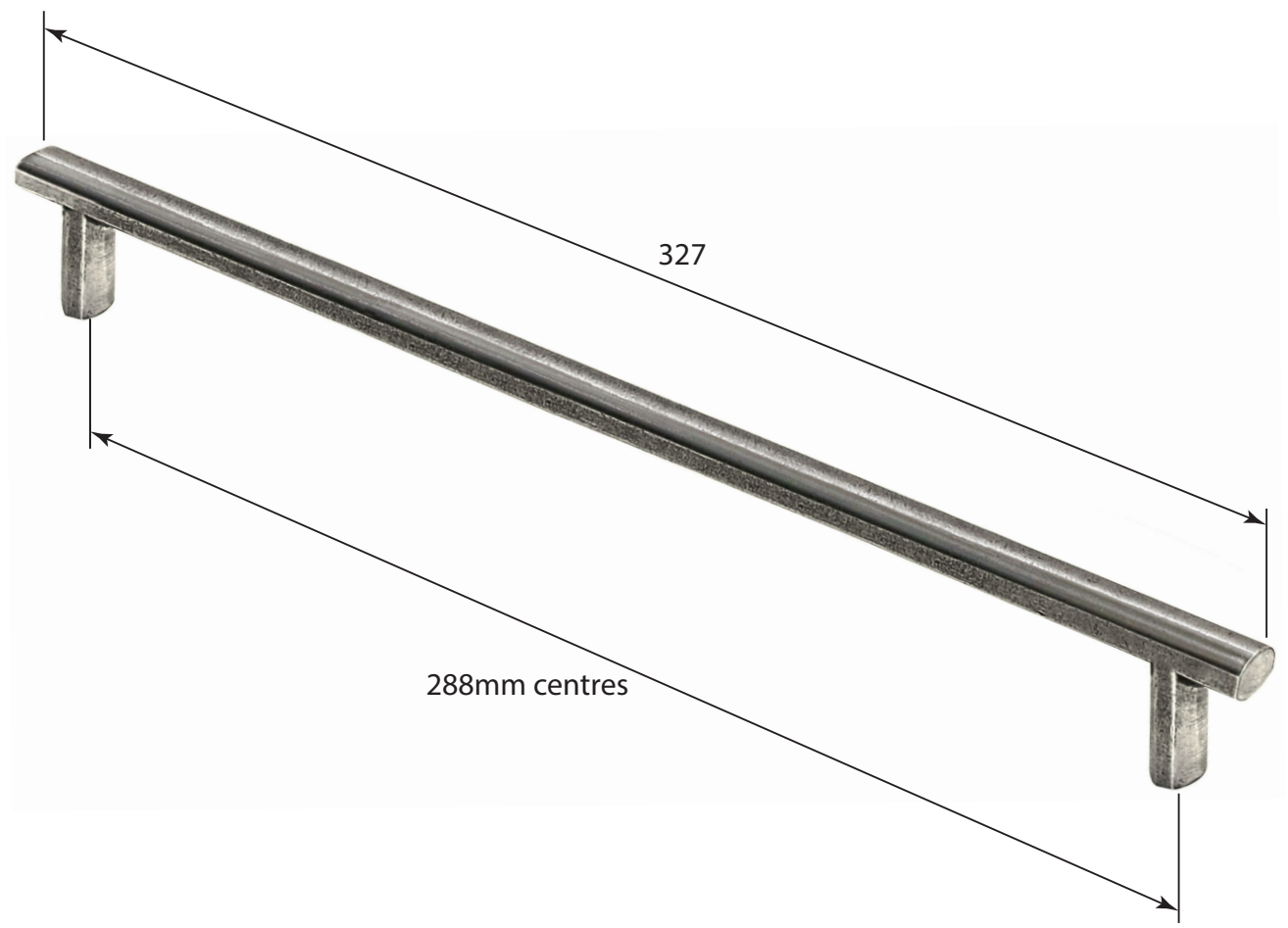


P/N. BH019
 ALL DIMENSIONS IN
 MM UNLESS STATED
 THE CONTENTS OF THIS DRAWING ARE COPYRIGHT AND SHOULD NOT BE
 REPRODUCED WITHOUT THE PERMISSION OF DJH ENGINEERING



					QTY	
			DESCRIPTION		DRG.	D. Urwin
			BH019 Croxdale Bar Handle (288mm centres).		DATE	06/09/18
1	06/09/18		LT REF.	H:\Finess & Stonebridge Handle Hardware\Finesse\ Dim Dwgs\BH019.pdf	SCALE	N/A
ISSUE	DATE	REVISION	MATL.	Pewter	CODE	BH019