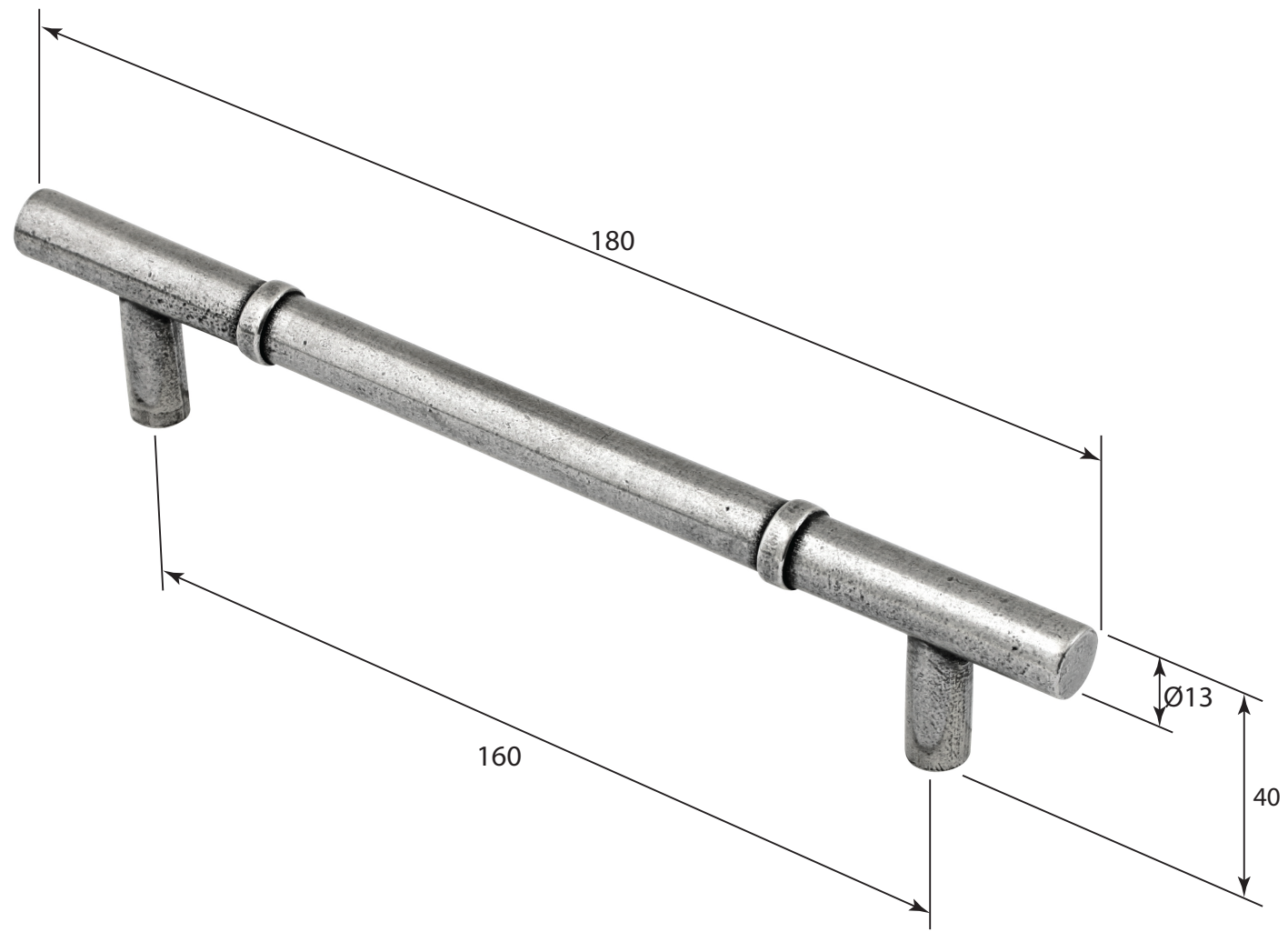


P/N. BH033

ALL DIMENSIONS IN
MM UNLESS STATED

THE CONTENTS OF THIS DRAWING ARE COPYRIGHT AND SHOULD NOT BE
REPRODUCED WITHOUT THE PERMISSION OF DJH ENGINEERING



						QTY	
				DESCRIPTION		DRG.	A.Liddle
				BH033 Quebec Pull Handle (160mm centres)		DATE	07/08/18
1	07/08/18		LT REF.	H:\Finesse & Stonebridge Handle Hardware\Finesse\Dim Dwgs\BH033.pdf		SCALE	N/A
ISSUE	DATE	REVISION	MATL.	Pewter		CODE	BH033