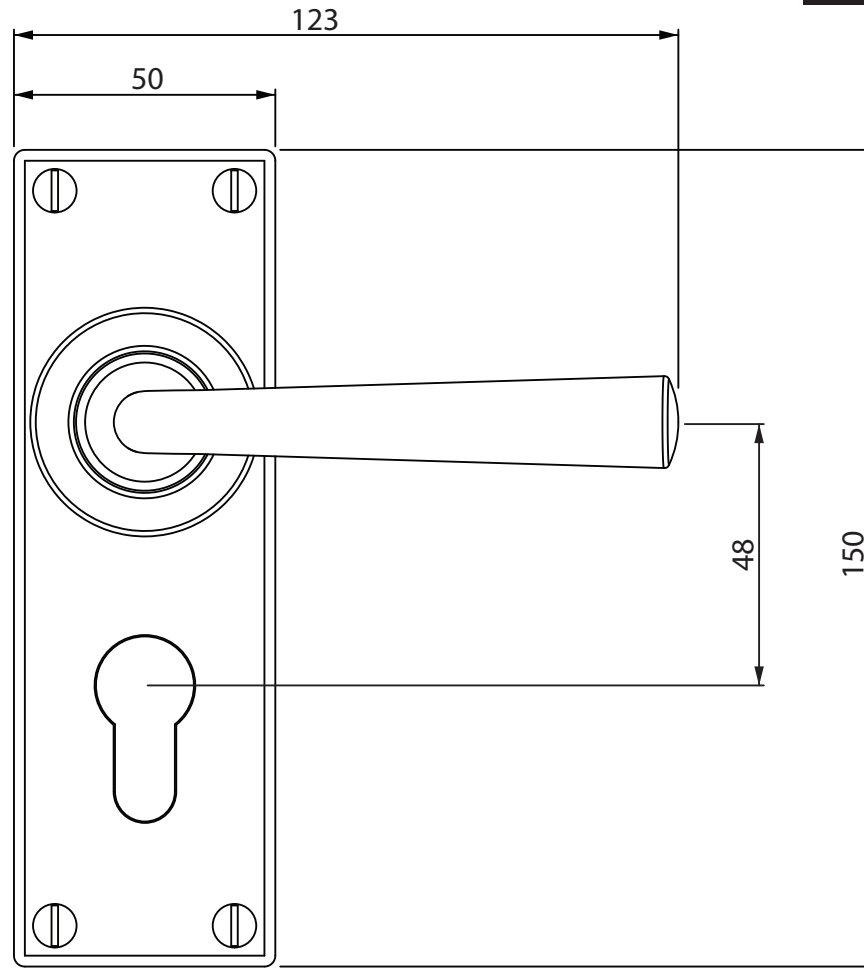
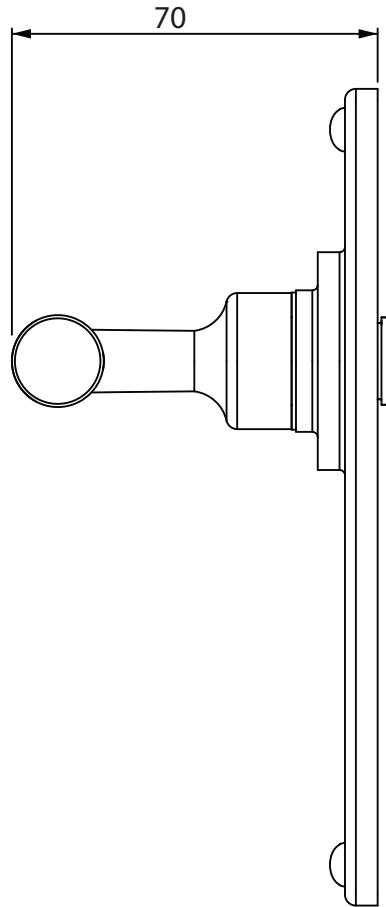


P/N.SB-LE-PAD-009

ALL DIMENSIONS IN
MM UNLESS STATED

THE CONTENTS OF THIS DRAWING ARE COPYRIGHT AND SHOULD NOT BE
REPRODUCED WITHOUT THE PERMISSION OF DJH ENGINEERING



					QTY
			DESCRIPTION		DRG. D. Urwin
			SB-LE-PAD-009 Padstow Door Lever Euro Lock Backplate.		DATE 03/10/18
1	03/10/18		LT REF.	H:\Finess & Stonebridge Handle Hardware\Stonebridge-CAD\ Dim Dwgs\SB-LE-PAD-009.pdf	SCALE N/A
ISSUE	DATE	REVISION	MATL.	Forged Steel (natural black finish)	CODE SB-LE-PAD-009