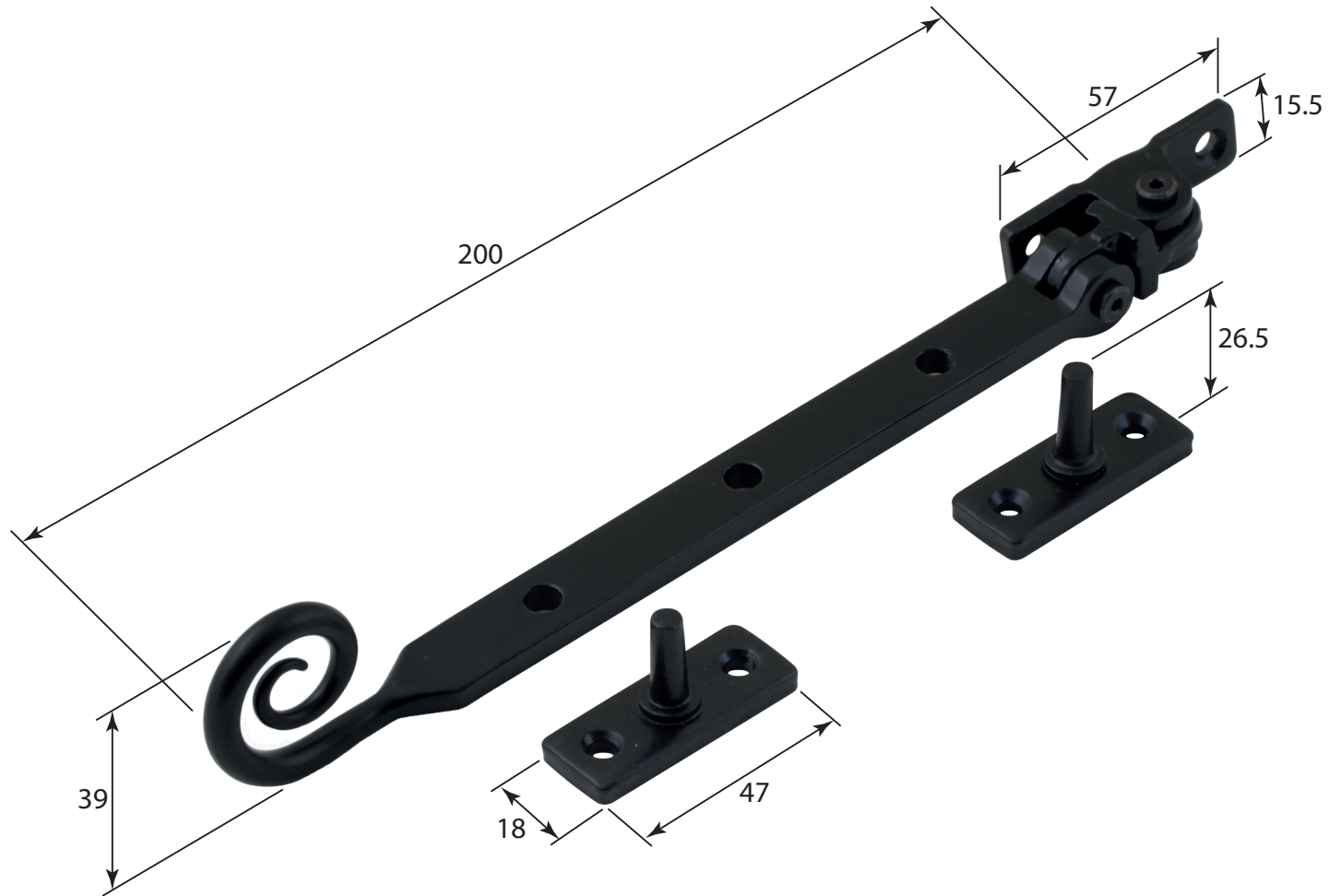


P/N. FB1081 & SS1050 **ALL DIMENSIONS IN MM UNLESS STATED**
 THE CONTENTS OF THIS DRAWING ARE COPYRIGHT AND SHOULD NOT BE REPRODUCED WITHOUT THE PERMISSION OF DJH ENGINEERING



NOTE: FOR ACTUAL COLOUR REFER TO MAIN WEB PAGE FOR THESE ITEMS.
 COLOUR SHOWN HERE IS FOR DIMENSION PURPOSES ONLY.

					QTY
			DESCRIPTION		DRG.
			Curl Window Stay (8") .		D. Urwin
			LT REF.		DATE
			H:\Finess & Stonebridge Handle Hardware\Stonebridge-CAD\ Dim Dwgs\FB1081&SS1050.pdf		03/10/18
1	03/10/18		MATL.		SCALE
ISSUE	DATE	REVISION	Forged Steel (Flat Black -FB1081 & Satin Steel - SS1050)		N/A
			CODE		FB1081 & SS1050