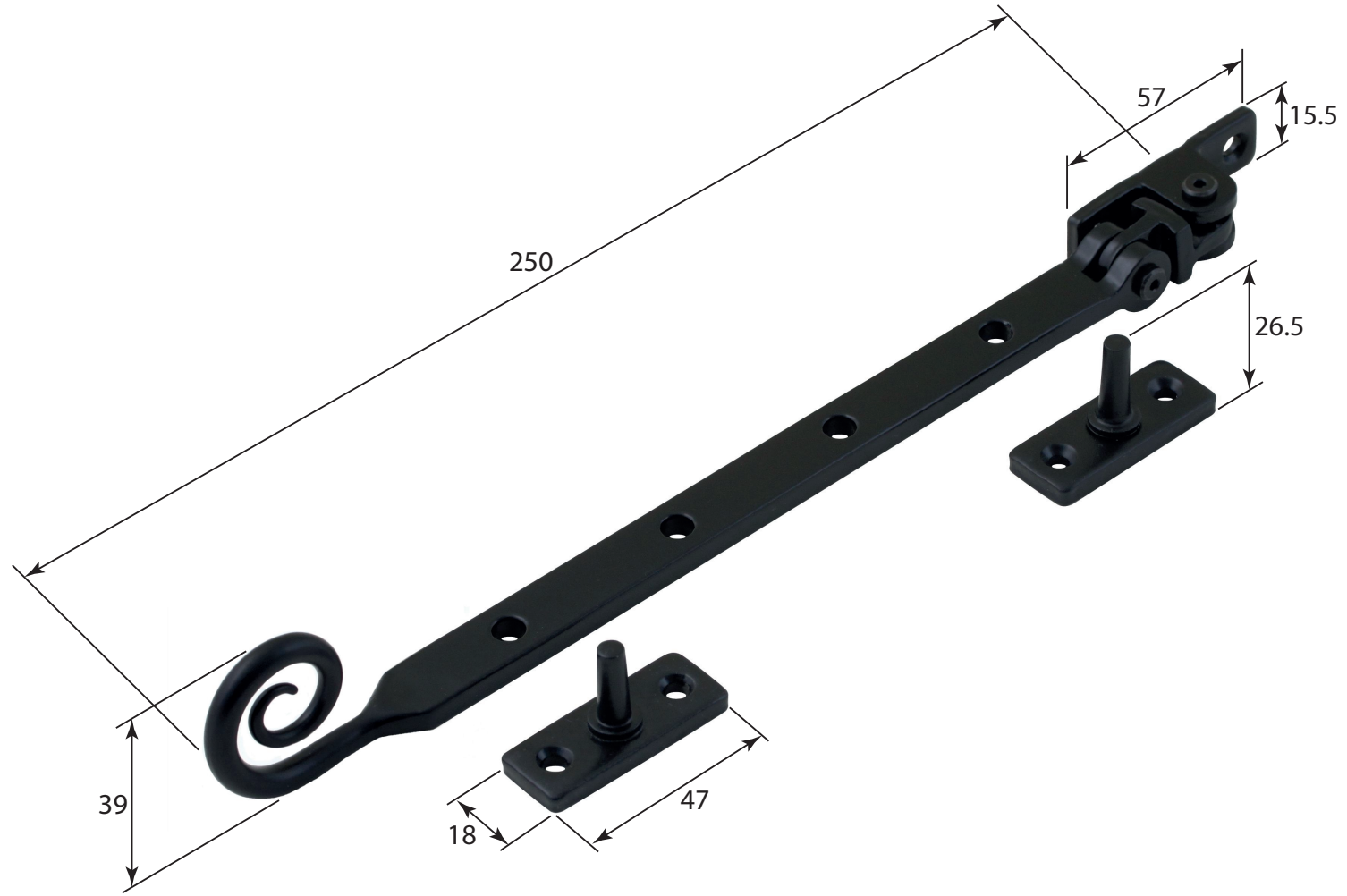


P/N. FB1082 & SS1051 **ALL DIMENSIONS IN MM UNLESS STATED**  
 THE CONTENTS OF THIS DRAWING ARE COPYRIGHT AND SHOULD NOT BE REPRODUCED WITHOUT THE PERMISSION OF DJH ENGINEERING



**NOTE:** FOR ACTUAL COLOUR REFER TO MAIN WEB PAGE FOR THESE ITEMS. COLOUR SHOWN HERE IS FOR DIMENSION PURPOSES ONLY.

				QTY	
			<b>DESCRIPTION</b>	<b>DRG.</b>	D. Urwin
			Curl Window Stay (10") .	<b>DATE</b>	03/10/18
1	03/10/18		<b>LT REF.</b>	<b>SCALE</b>	N/A
<b>ISSUE</b>	<b>DATE</b>	<b>REVISION</b>	<b>MATL.</b>	<b>CODE</b>	FB1082 & SS1051

H:\Finess & Stonebridge Handle Hardware\Stonebridge-CAD\ Dim Dwgs\FB1082&SS1051.pdf