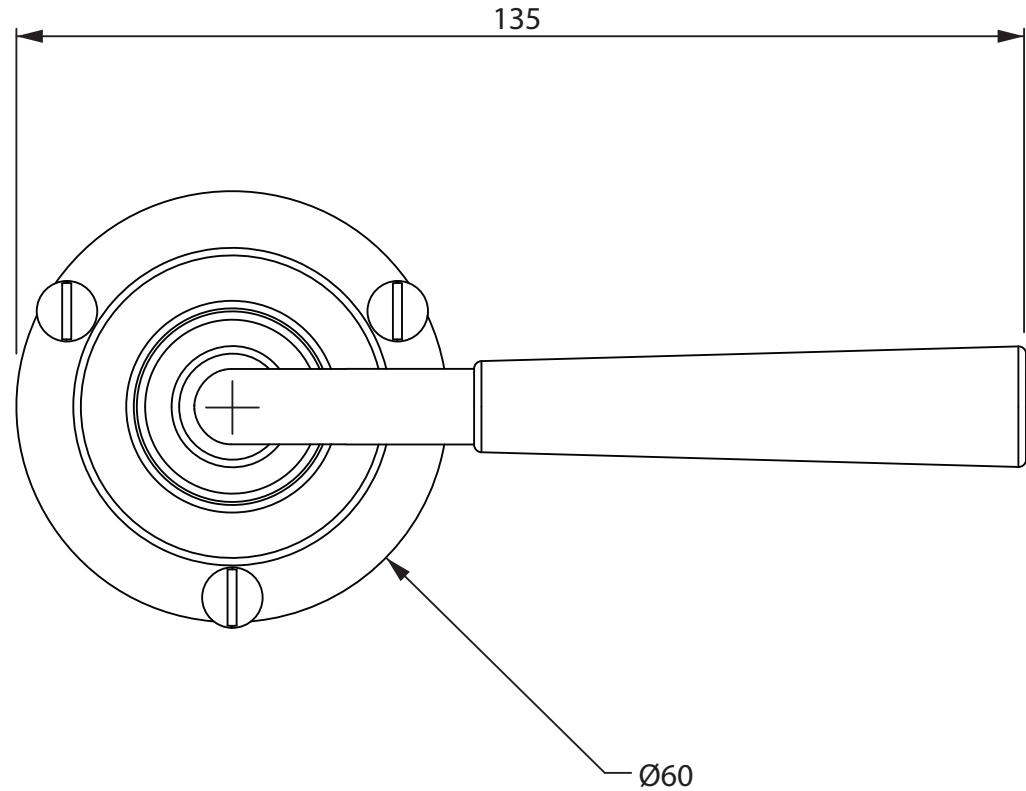
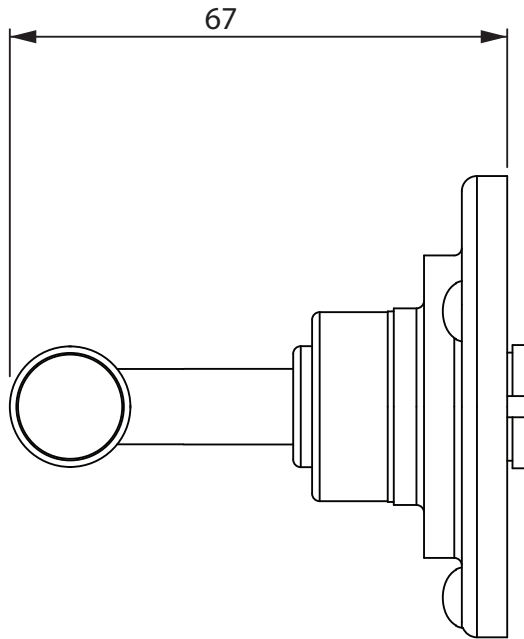


Stonebridge Lever On

Round Rose

**ALL DIMENSIONS IN
MM UNLESS STATED**

THE CONTENTS OF THIS DRAWING ARE COPYRIGHT AND SHOULD NOT
BE REPRODUCED WITHOUT THE PERMISSION OF DJH GROUP LTD.



					QTY
		FOR ACTUAL COLOUR REFER TO MAIN WEB PAGE FOR THIS ITEM.	DESCRIPTION		DRG. D. Urwin
			Stonebridge Lever Round Rose Backplate (Cotswold).		DATE 03/10/18
1	03/10/18	COLOUR HERE FOR DIMENSION PURPOSES ONLY.	LT REF.	H:\Finess & Stonebridge Handle Hardware/Stonebridge-CAD/ Dim Dwgs/pdf	SCALE N/A
ISSUE	DATE		MATL.	Forged Steel (flat black & satin steel)	CODE Lever On Round Rose