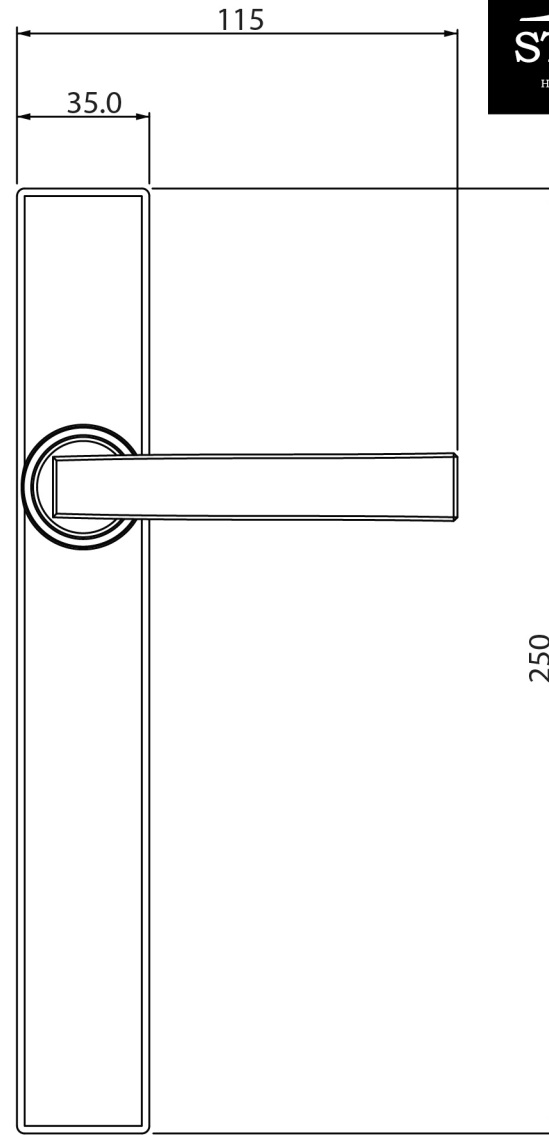
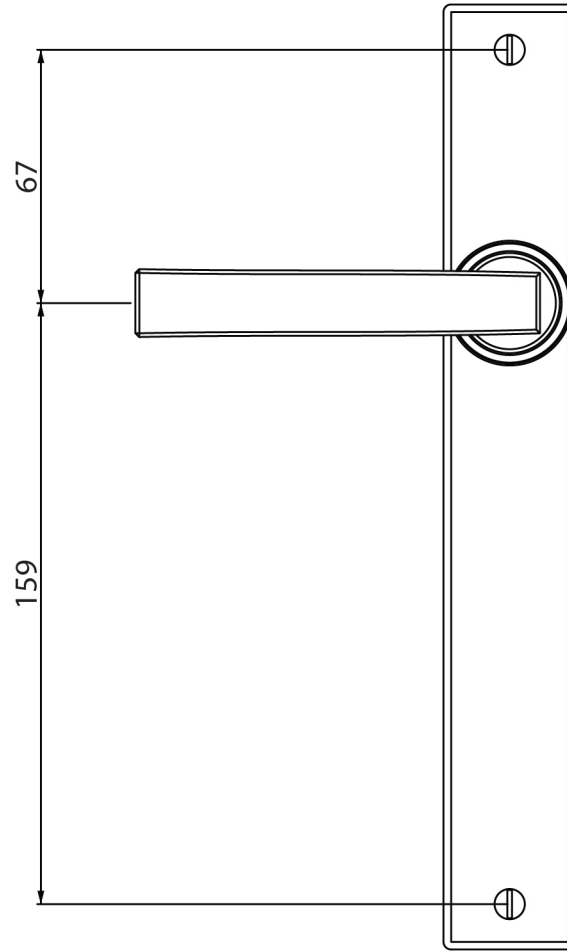
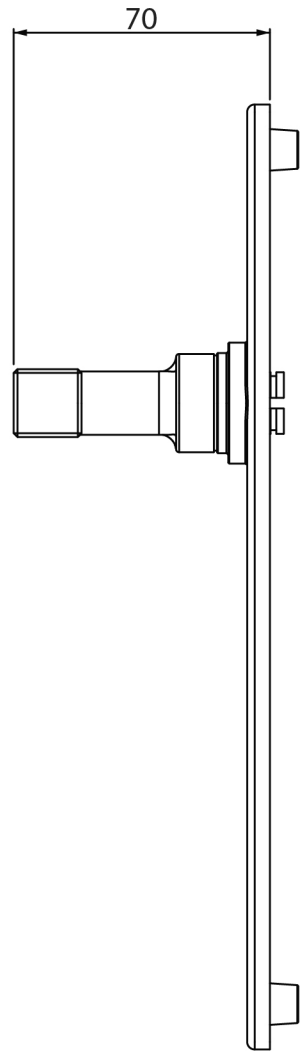


Stonebridge Passage

**ALL DIMENSIONS IN
MM UNLESS STATED**

Multipoint

THE CONTENTS OF THIS DRAWING ARE COPYRIGHT AND SHOULD NOT
BE REPRODUCED WITHOUT THE PERMISSION OF DJH GROUP LTD.



QTY

		FOR ACTUAL COLOUR REFER TO MAIN WEB PAGE FOR THIS ITEM.	DESCRIPTION	DRG.	D. Urwin
			Stonebridge Multipoint Passage Backplate (Arundel).	DATE	03/10/18
1	03/10/18	COLOUR HERE FOR DIMENSION PURPOSES ONLY.	LT REF.	SCALE	N/A
ISSUE	DATE		MATL.	CODE	Passage Multipoint

H:\Finess & Stonebridge Handle Hardware\Stonebridge-CAD\ Dim Dwgs\pdf

Forged Steel (flat black & satin steel)