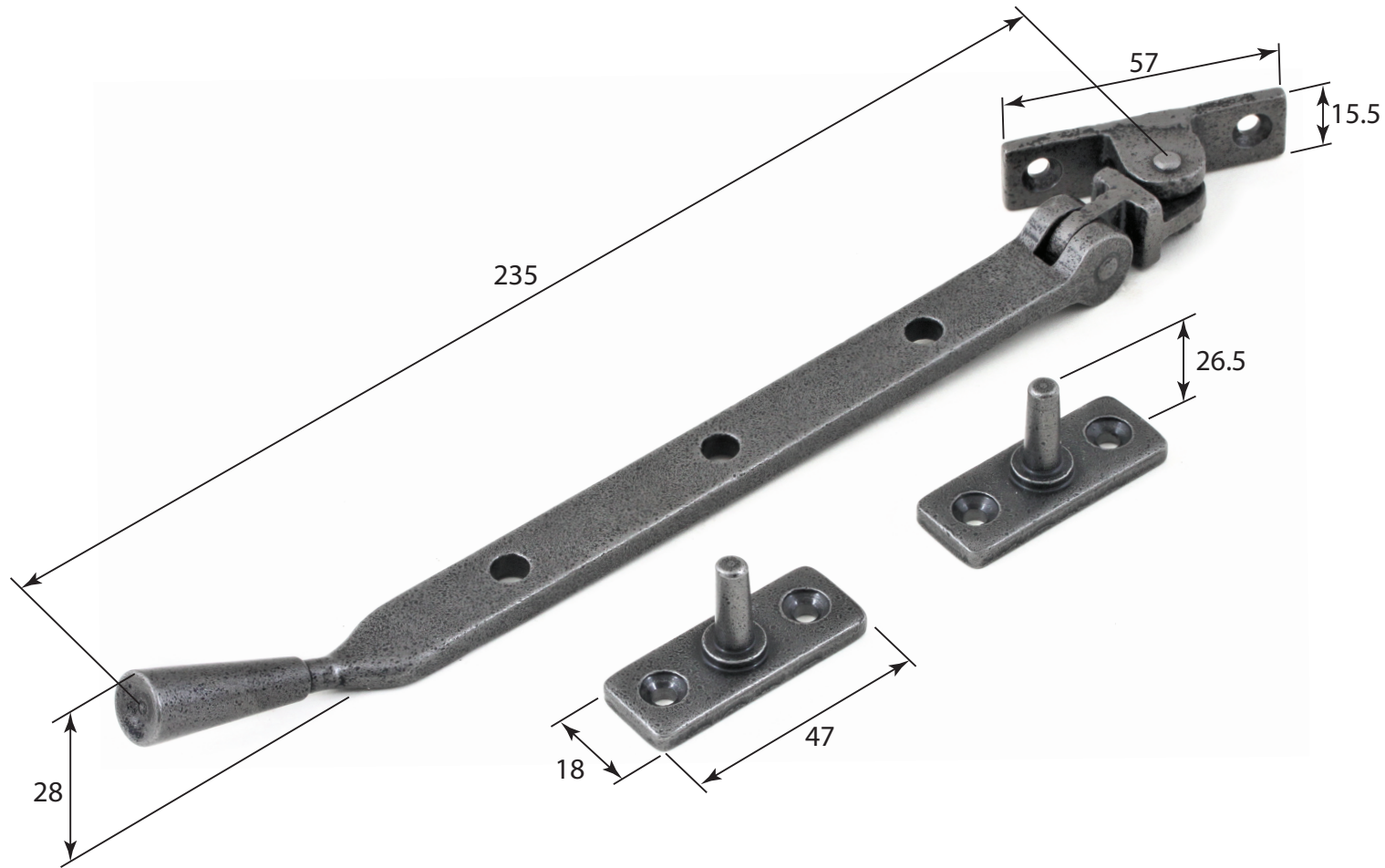


Stonebridge 8"

Casement Stay.

**ALL DIMENSIONS IN  
MM UNLESS STATED**

THE CONTENTS OF THIS DRAWING ARE COPYRIGHT AND SHOULD NOT  
BE REPRODUCED WITHOUT THE PERMISSION OF DJH GROUP LTD.



					QTY
		<b>FOR ACTUAL COLOUR REFER TO MAIN WEB PAGE FOR THIS ITEM.</b>	<b>DESCRIPTION</b>		DRG.
			Stonebridge 8" Window Casement Stay (Cotswold).		DATE
1	29/10/18	<b>COLOUR HERE FOR DIMENSION PURPOSES ONLY.</b>	<b>LT REF.</b>	H:\Finess & Stonebridge Handle Hardware/Stonebridge-CAD/ Dim Dwgs/pdf	SCALE
<b>ISSUE</b>	<b>DATE</b>		<b>MATL.</b>	Forged Steel (flat black & satin steel)	CODE
					8" Casement Stay