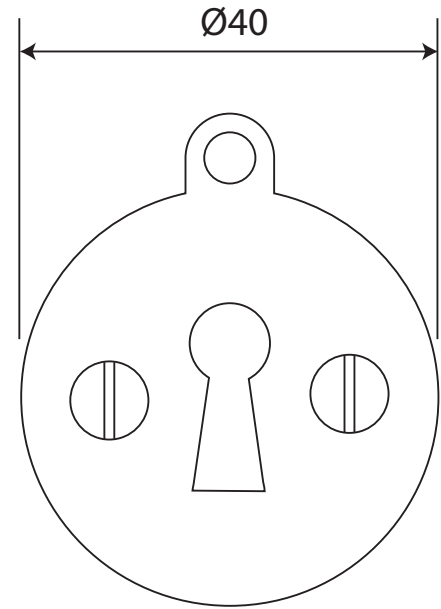
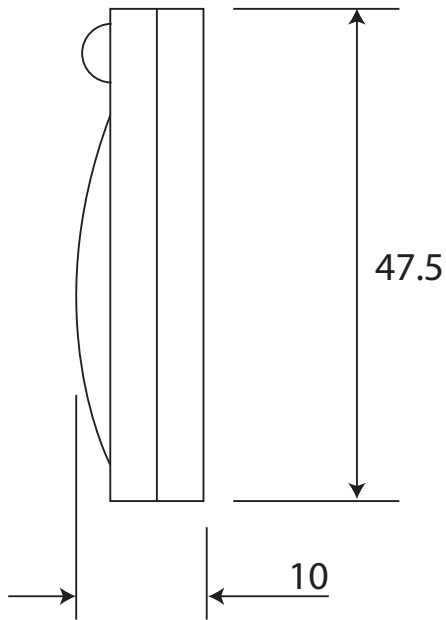
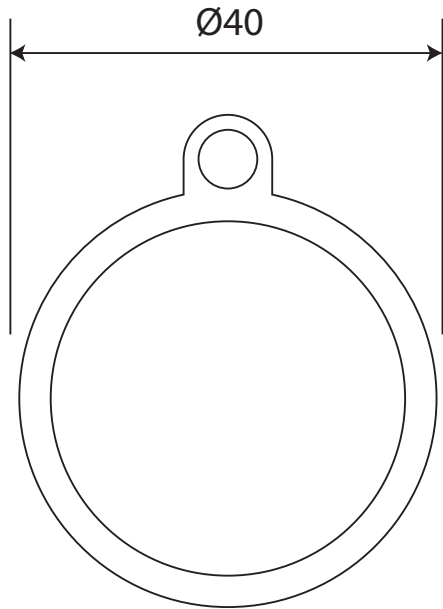


P/N.SB-ESC-RC-114 ALL DIMENSIONS IN MM UNLESS STATED
 THE CONTENTS OF THIS DRAWING ARE COPYRIGHT AND SHOULD NOT BE REPRODUCED WITHOUT THE PERMISSION OF DJH ENGINEERING



					QTY
			DESCRIPTION	DRG.	D. Urwin
			SB-ESC-RC-114 Round Escutcheon with cover.	DATE	18/10/18
1	18/10/18		LT REF.	SCALE	N/A
ISSUE	DATE	REVISION	MATL.	Forged Steel (natural black finish)	CODE
					SB-ESC-RC-114

H:\Finess & Stonebridge Handle Hardware\Stonebridge-CAD\ Dim Dwgs\SB-ESC-RC-114.pdf