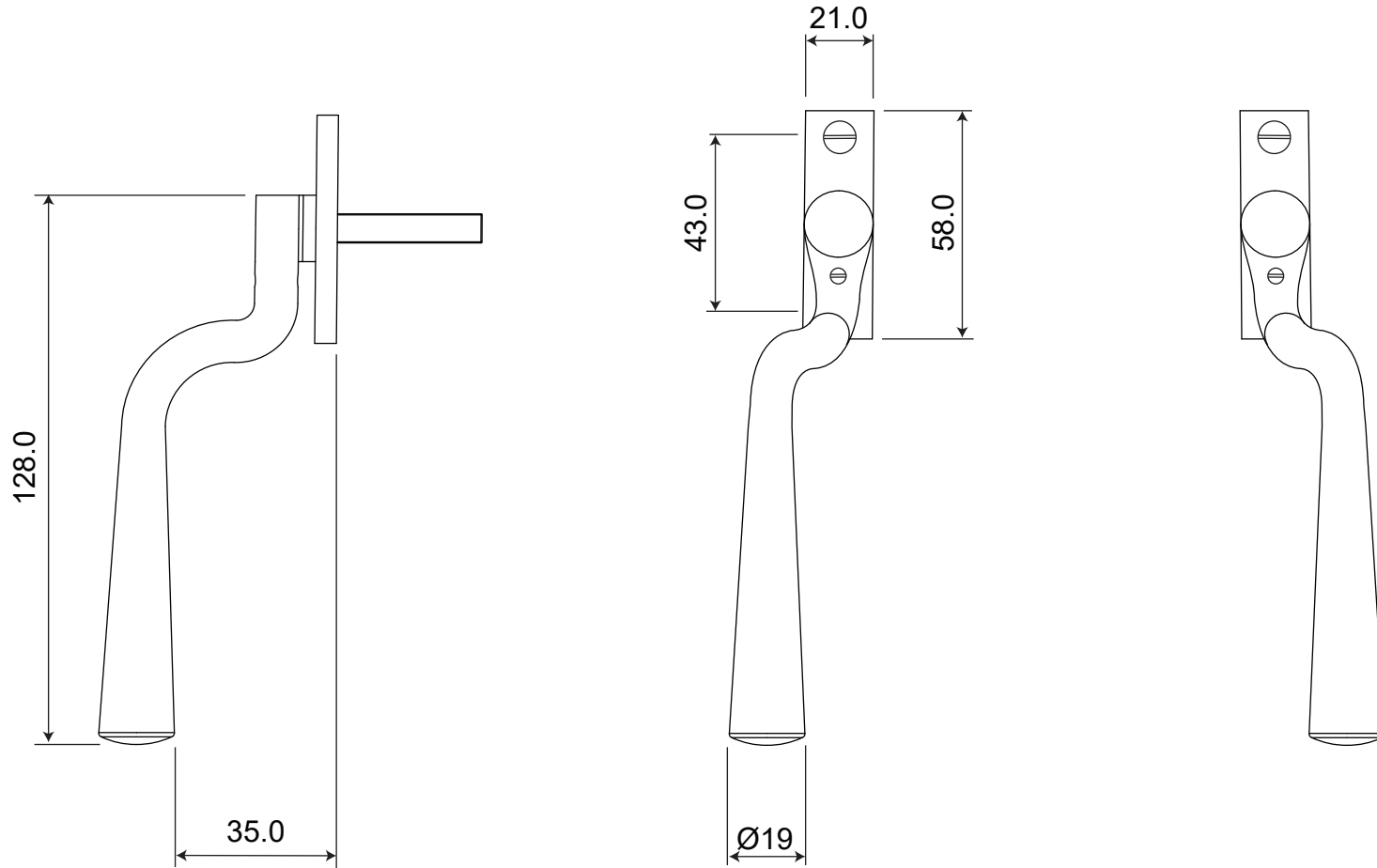


P/N. FB1300L & FB1300R  
NFS1100L & NFS1100R

**ALL DIMENSIONS IN  
MM UNLESS STATED**

THE CONTENTS OF THIS DRAWING ARE COPYRIGHT AND SHOULD NOT BE  
REPRODUCED WITHOUT THE PERMISSION OF DJH ENGINEERING



					QTY
			<b>DESCRIPTION</b>		DRG.
			Padstow Cranked Window Espag.		DATE
1	28/01/19		<b>LT REF.</b>	H:\Finess & Stonebridge Handle Hardware/Stonebridge-CAD/ Dim Dwgs\FB1300L&FB1300R.pdf	SCALE
<b>ISSUE</b>	<b>DATE</b>	<b>REVISION</b>	<b>MATL.</b>	Forged Steel	<b>CODE</b>
					N/A
					FB1300L & FB1300R NFS1100L & NFS1100R