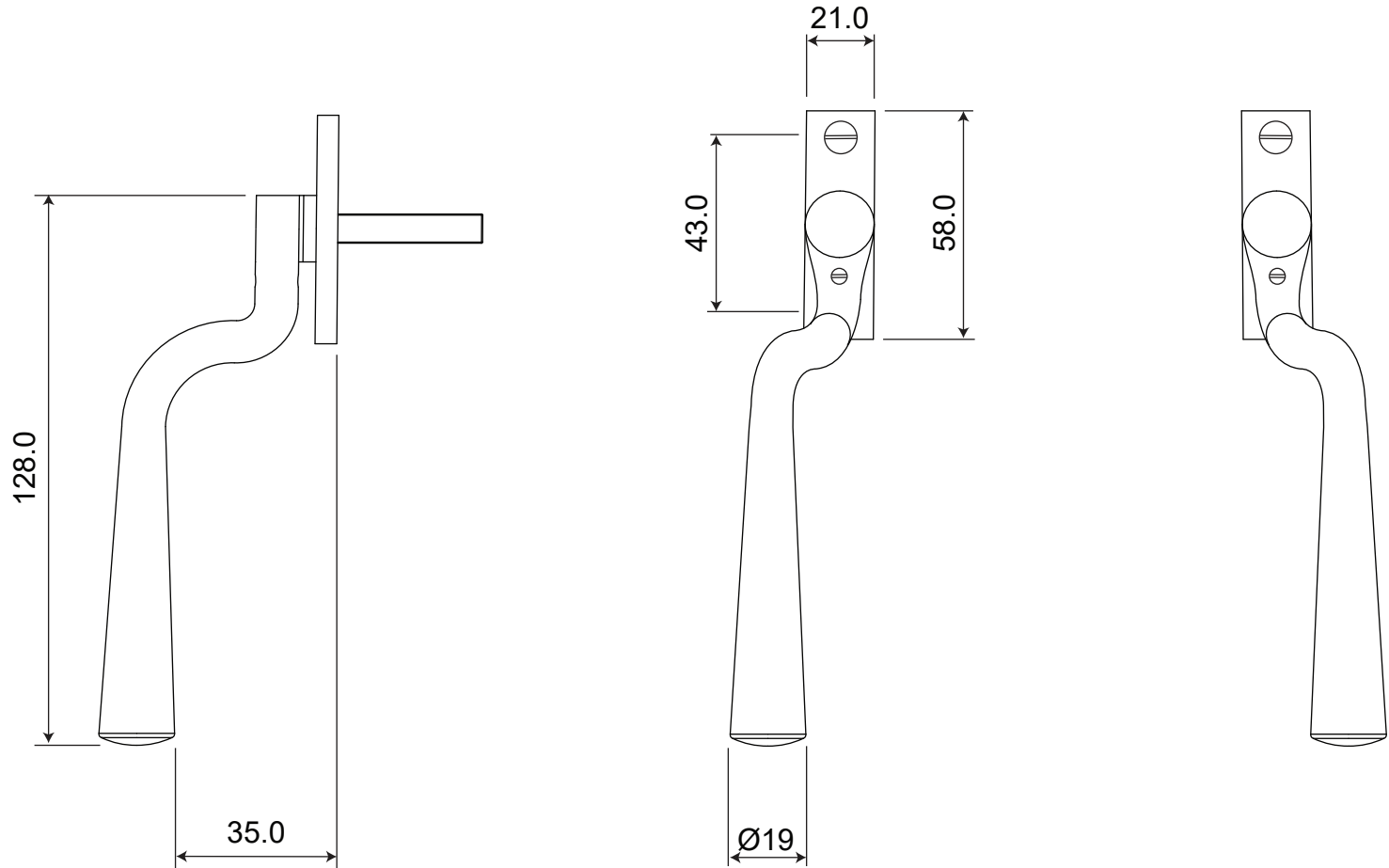


P/N.FB1300L & FB1300R  
**ALL DIMENSIONS IN MM UNLESS STATED**  
 THE CONTENTS OF THIS DRAWING ARE COPYRIGHT AND SHOULD NOT BE REPRODUCED WITHOUT THE PERMISSION OF DJH ENGINEERING



					QTY
			<b>DESCRIPTION</b>		<b>DRG.</b> D. Urwin
			FB1300L & FB1300R Padstow Cranked Window Espag.		<b>DATE</b> 28/01/19
1	28/01/19		<b>LT REF.</b>	H:\Finess & Stonebridge Handle Hardware\Stonebridge-CAD\ Dim Dwgs\FB1300L&FB1300R.pdf	<b>SCALE</b> N/A
<b>ISSUE</b>	<b>DATE</b>	<b>REVISION</b>	<b>MATL.</b>	Forged Steel (flat black finish)	<b>CODE</b> FB1300L & FB1300R