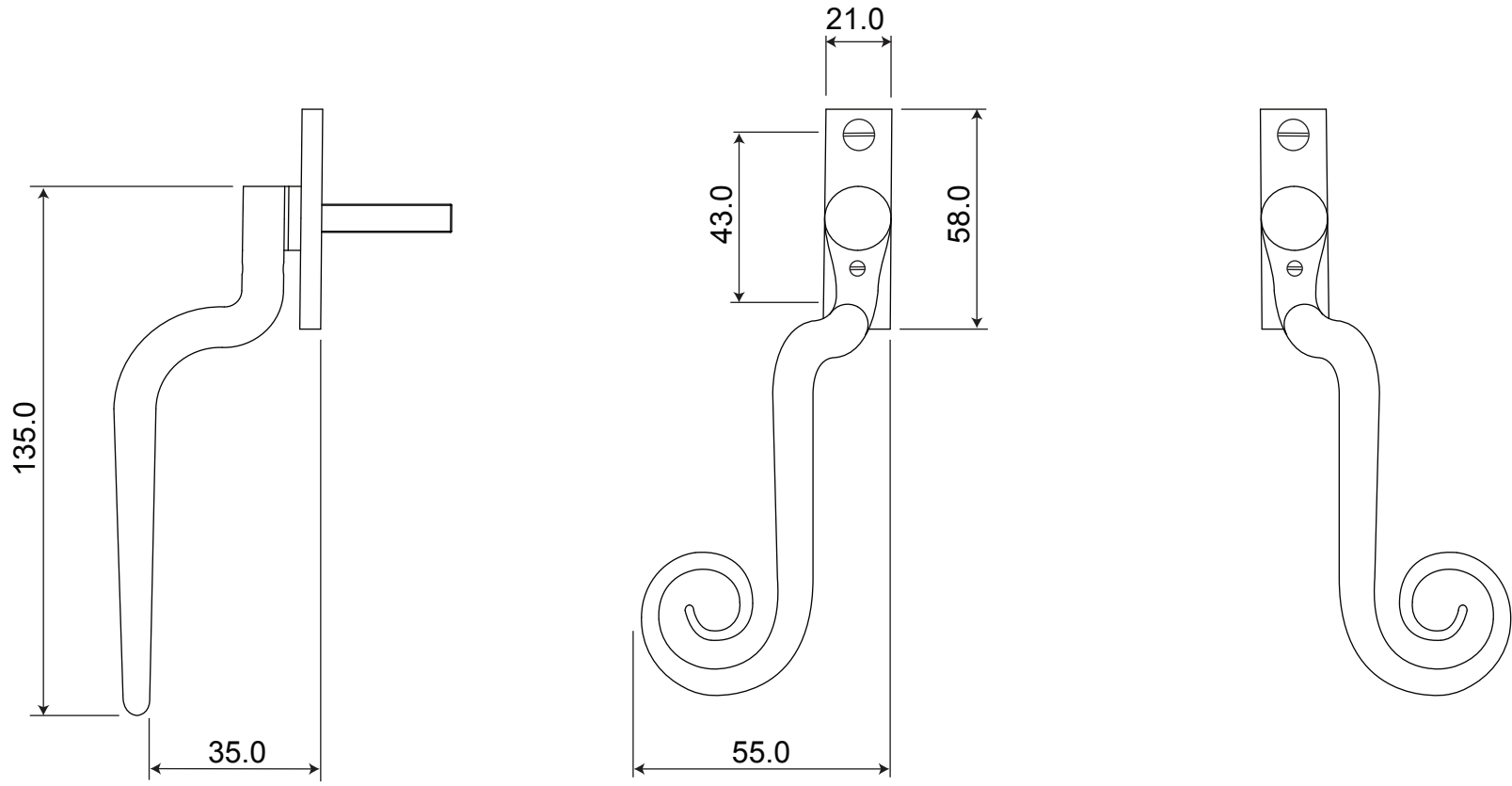


P/N.FB1301R & FB1301L  
**ALL DIMENSIONS IN MM UNLESS STATED**  
 THE CONTENTS OF THIS DRAWING ARE COPYRIGHT AND SHOULD NOT BE REPRODUCED WITHOUT THE PERMISSION OF DJH ENGINEERING



|              |             |                 |  |                                  | QTY               |
|--------------|-------------|-----------------|--|----------------------------------|-------------------|
|              |             |                 | <b>DESCRIPTION</b>                           | <b>DRG.</b>                      | D. Urwin          |
|              |             |                 | FB1301R & FB1301L Curl Cranked Window Espag. | <b>DATE</b>                      | 28/01/19          |
| 1            | 28/01/19    |                 | <b>LT REF.</b>                               | <b>SCALE</b>                     | N/A               |
| <b>ISSUE</b> | <b>DATE</b> | <b>REVISION</b> | <b>MATL.</b>                                 | Forged Steel (flat black finish) | <b>CODE</b>       |
|              |             |                 |  |                                  | FB1301R & FB1301L |