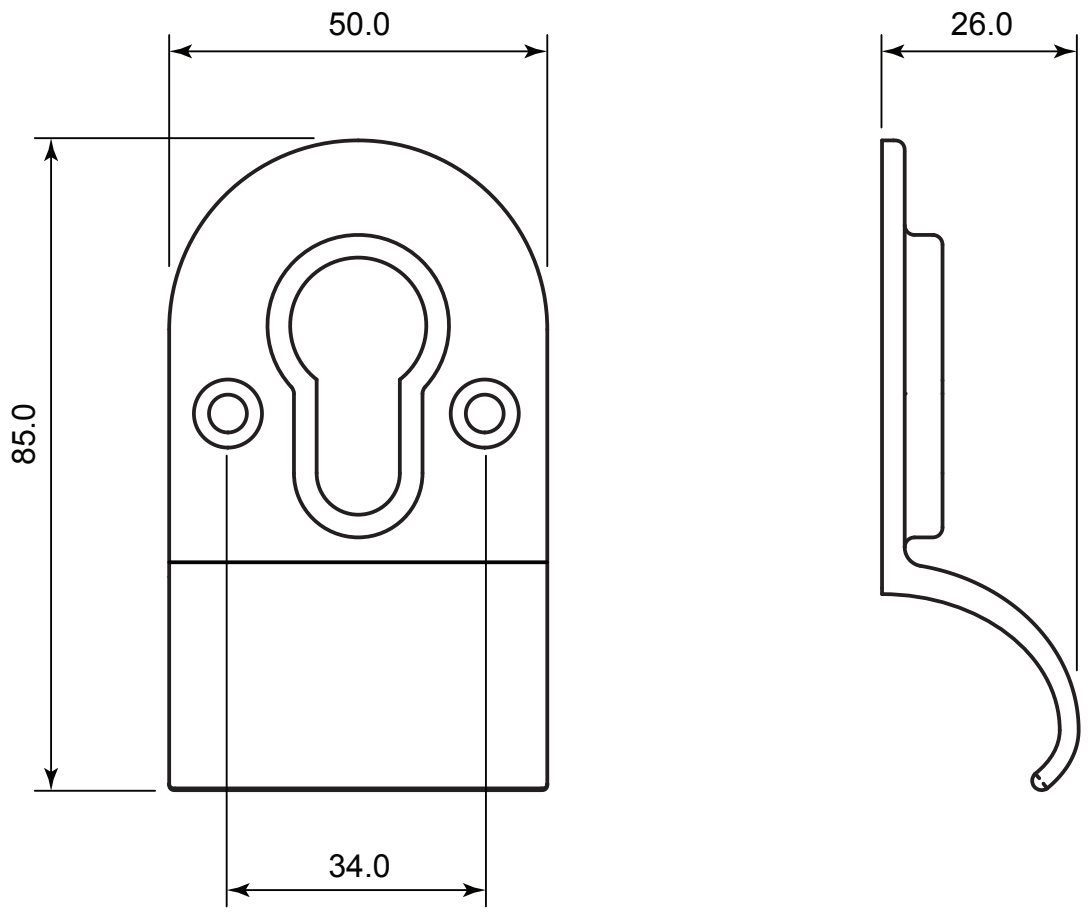


P/N. FB1303 ALL DIMENSIONS IN
MM UNLESS STATED

THE CONTENTS OF THIS DRAWING ARE COPYRIGHT AND SHOULD NOT BE
REPRODUCED WITHOUT THE PERMISSION OF DJH ENGINEERING



					QTY	
			DESCRIPTION		DRG.	D. Urwin
			FB1303 Euro Cylinder Pull		DATE	28/01/19
1	28/01/19		LT REF.	H:\Finess & Stonebridge Handle Hardware\Stonebridge-CAD\ Dim Dwgs\FB1303.pdf	SCALE	N/A
ISSUE	DATE	REVISION	MATL.	Forged Steel (flat black finish)	CODE	FB1303