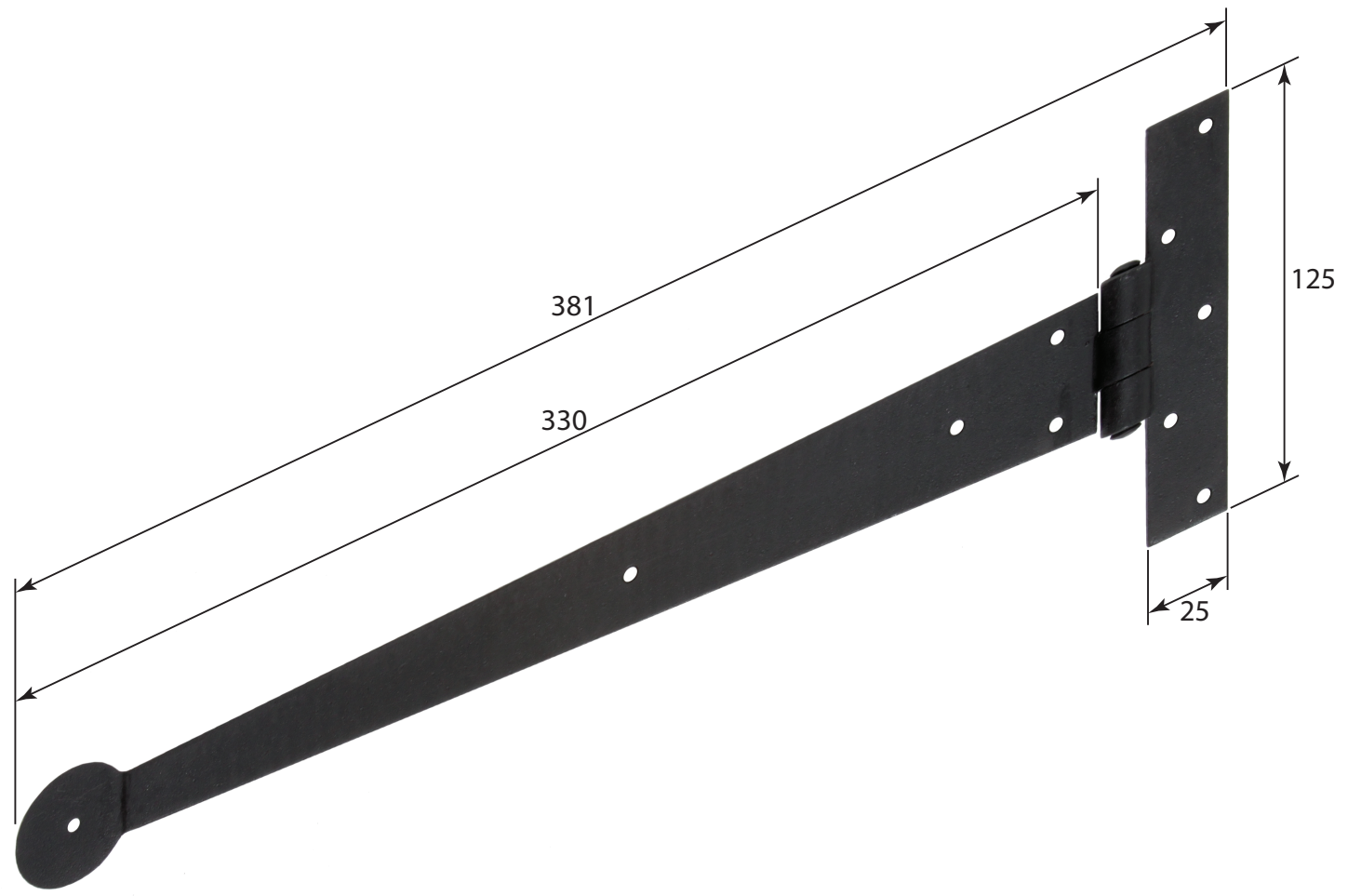


P/N. FB133 & SS1203 **ALL DIMENSIONS IN MM UNLESS STATED**
 THE CONTENTS OF THIS DRAWING ARE COPYRIGHT AND SHOULD NOT BE REPRODUCED WITHOUT THE PERMISSION OF DJH ENGINEERING



NOTE: FOR ACTUAL COLOUR REFER TO MAIN WEB PAGE FOR THESE ITEMS.
 COLOUR SHOWN HERE IS FOR DIMENSION PURPOSES ONLY.

| | | | | | QTY |
|--------------|-------------|-----------------|----------------------------|--|----------------|
| | | | DESCRIPTION | | DRG. |
| | | | Penny End Hinge (15 inch). | | D. Urwin |
| | | | LT REF. | H:\Finess & Stonebridge Handle Hardware/Stonebridge-CAD/ Dim Dwgs\FB133&SS1203.pdf | DATE |
| | | | | | 03/10/18 |
| 1 | 03/10/18 | | MATL. | Forged Steel (Flat Black -FB133 & Satin Steel - SS1203) | SCALE |
| ISSUE | DATE | REVISION | | | N/A |
| | | | | | CODE |
| | | | | | FB133 & SS1203 |