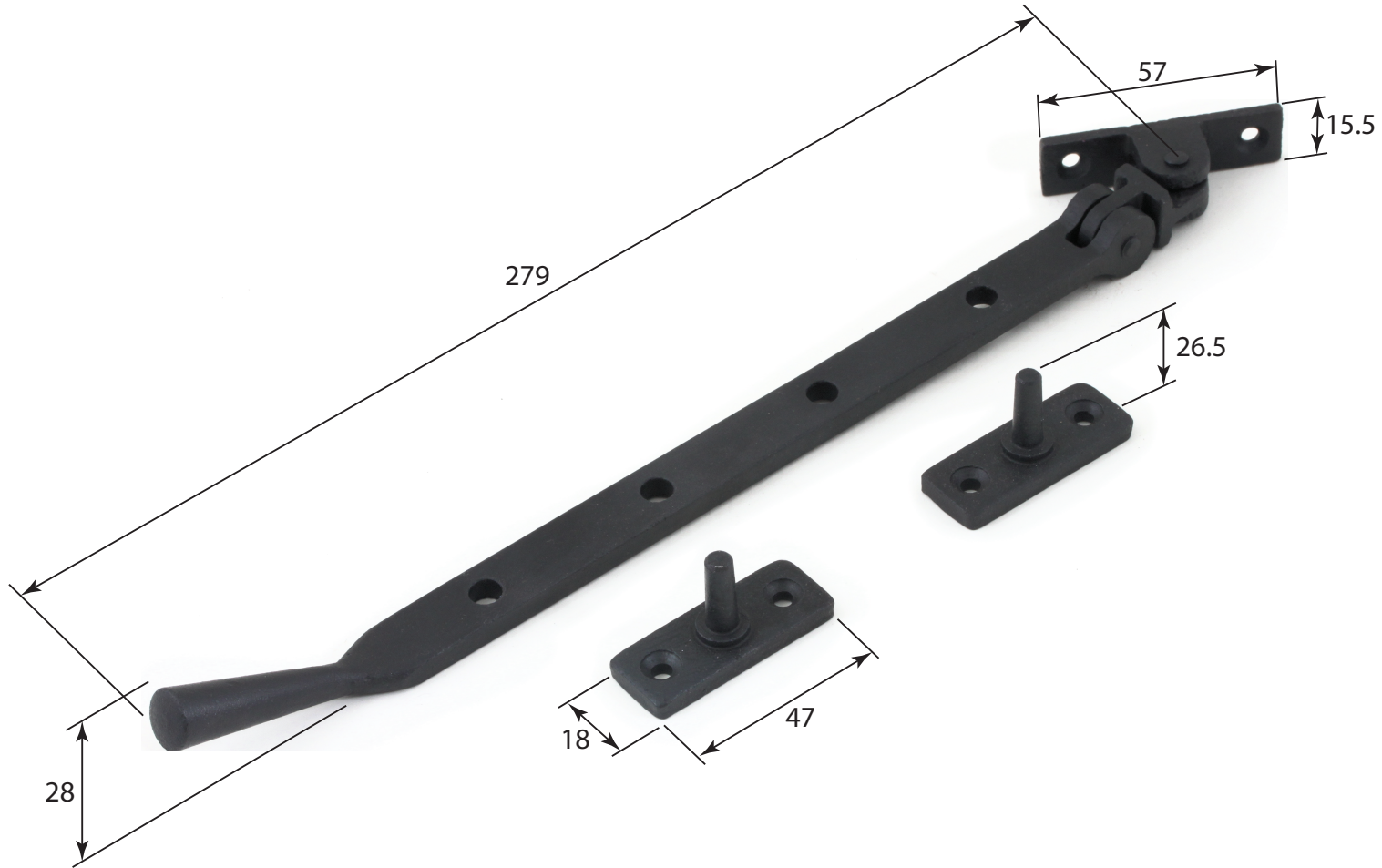


P/N.SB-CS-PAD-201 ALL DIMENSIONS IN MM UNLESS STATED

THE CONTENTS OF THIS DRAWING ARE COPYRIGHT AND SHOULD NOT BE REPRODUCED WITHOUT THE PERMISSION OF DJH ENGINEERING



				QTY	
			<b>DESCRIPTION</b>	<b>DRG.</b>	D. Urwin
			SI-CS-PAD-201 Window Casement Stay (10 inch).	<b>DATE</b>	29/10/18
1	29/10/18		<b>LT REF.</b>	<b>SCALE</b>	N/A
<b>ISSUE</b>	<b>DATE</b>	<b>REVISION</b>	<b>MATL.</b>	<b>CODE</b>	SB-CS-PAD-201

H:\Finess & Stonebridge Handle Hardware\Stonebridge-CAD\ Dim Dwgs\SB-CS-PAD-201.pdf