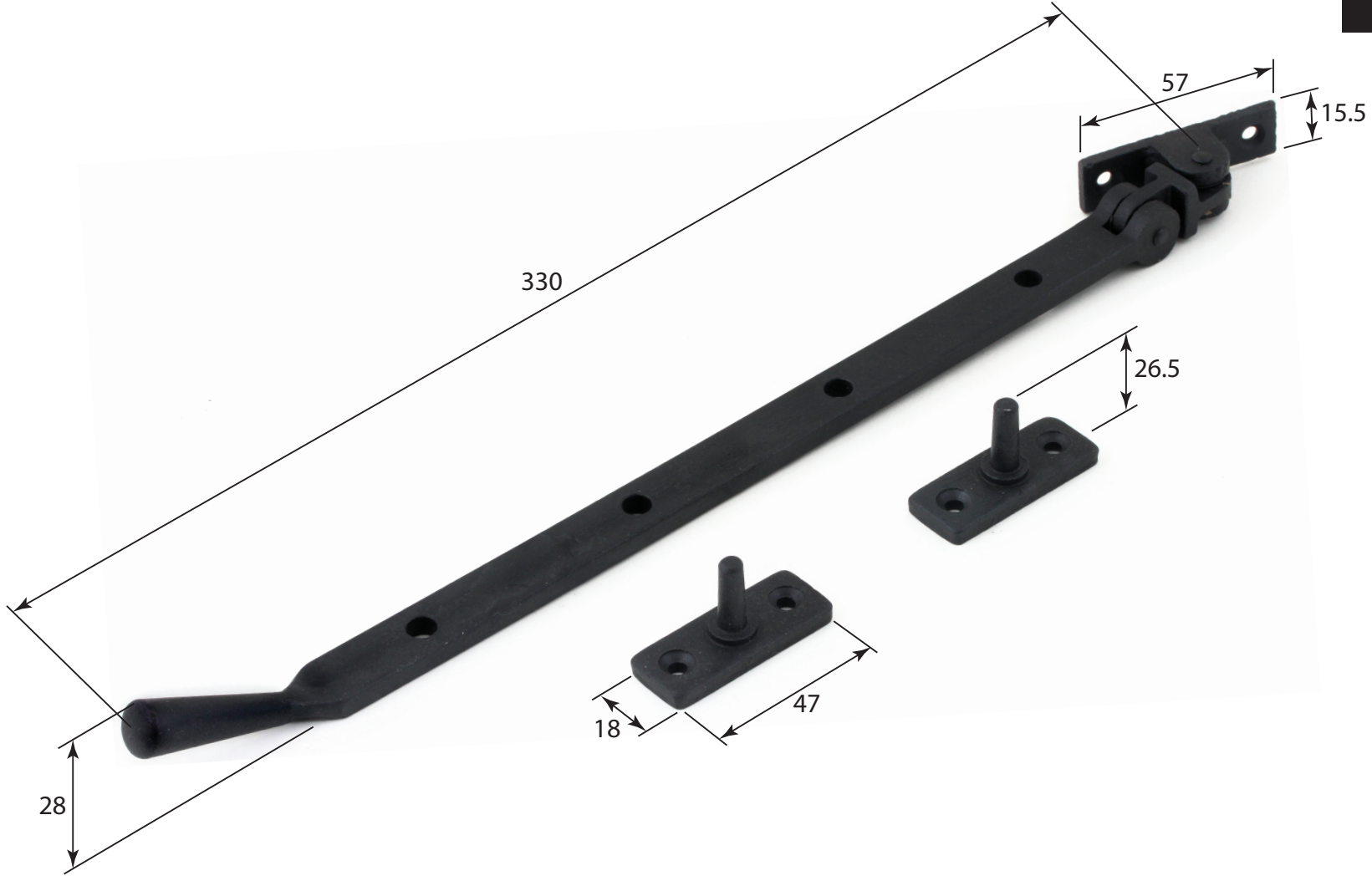


P/N. SB-CS-PAD-202 ALL DIMENSIONS IN MM UNLESS STATED

THE CONTENTS OF THIS DRAWING ARE COPYRIGHT AND SHOULD NOT BE REPRODUCED WITHOUT THE PERMISSION OF DJH ENGINEERING



				QTY	
			DESCRIPTION	DRG.	D. Urwin
			SB-CS-PAD-202 Window Casement Stay (12 inch).	DATE	29/10/18
1	29/10/18		LT REF.	SCALE	N/A
ISSUE	DATE	REVISION	MATL.	Forged Steel (natural black finish)	CODE
					SB-CS-PAD-202