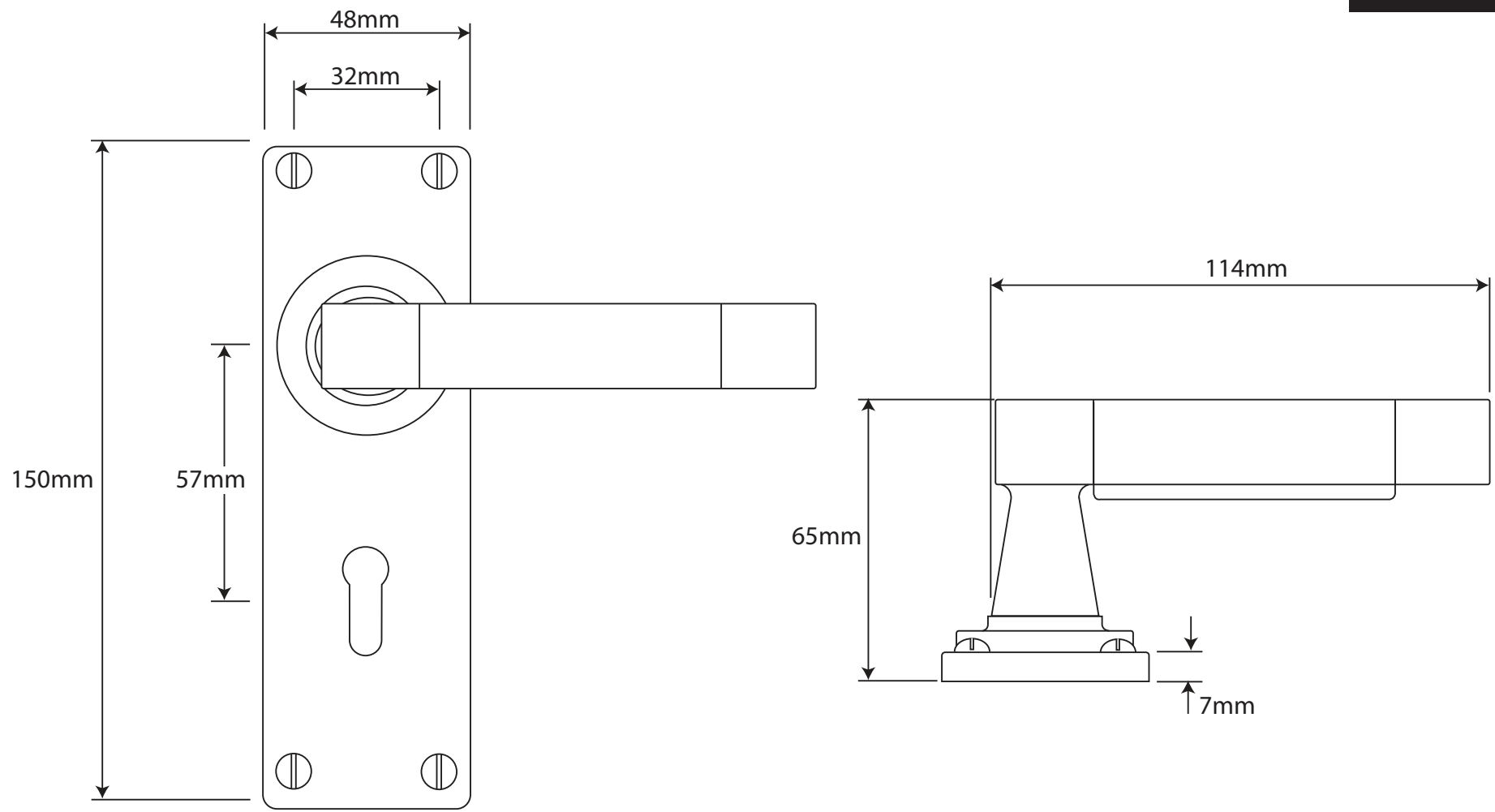


P/N. FD057B ALL DIMENSIONS IN MM UNLESS STATED

THE CONTENTS OF THIS DRAWING ARE COPYRIGHT AND SHOULD NOT BE REPRODUCED WITHOUT THE PERMISSION OF DJH ENGINEERING



				DESCRIPTION		DRG.	QTY
				FD057B Jedburgh Door Lever (Black - Leather) on Lock/Keyhole Backplate.		DATE	D. Urwin 12/09/18
1	12/09/18		LT REF.	H:\Finesse & Stonebridge Handle Hardware\Finesse\ Dim Dwgs\FD057B.pdf		SCALE	N/A
ISSUE	DATE	REVISION	MATL.	Pewter/Black - Leather		CODE	FD057B