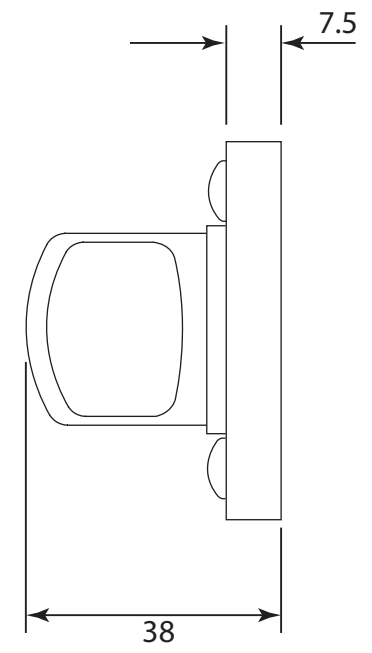
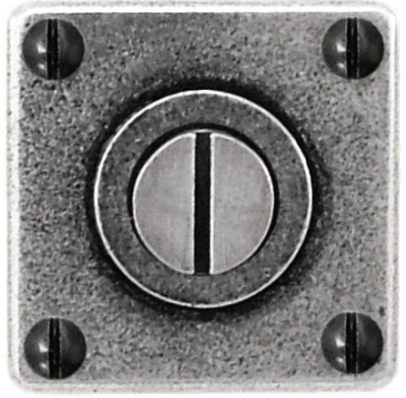


P/N. FD066

ALL DIMENSIONS IN
MM UNLESS STATED

THE CONTENTS OF THIS DRAWING ARE COPYRIGHT AND SHOULD NOT BE
REPRODUCED WITHOUT THE PERMISSION OF DJH ENGINEERING



						QTY
				DESCRIPTION		DRG.
				FD066 Thumb Turn & Release (Jesmond) on Square Rose.		DATE
1	29/08/18		LT REF.	H:\Finess & Stonebridge Handle Hardware\Finesse\ Dim Dwgs\FD066.pdf		SCALE
ISSUE	DATE	REVISION	MATL.	Pewter		CODE
						N/A
						FD066