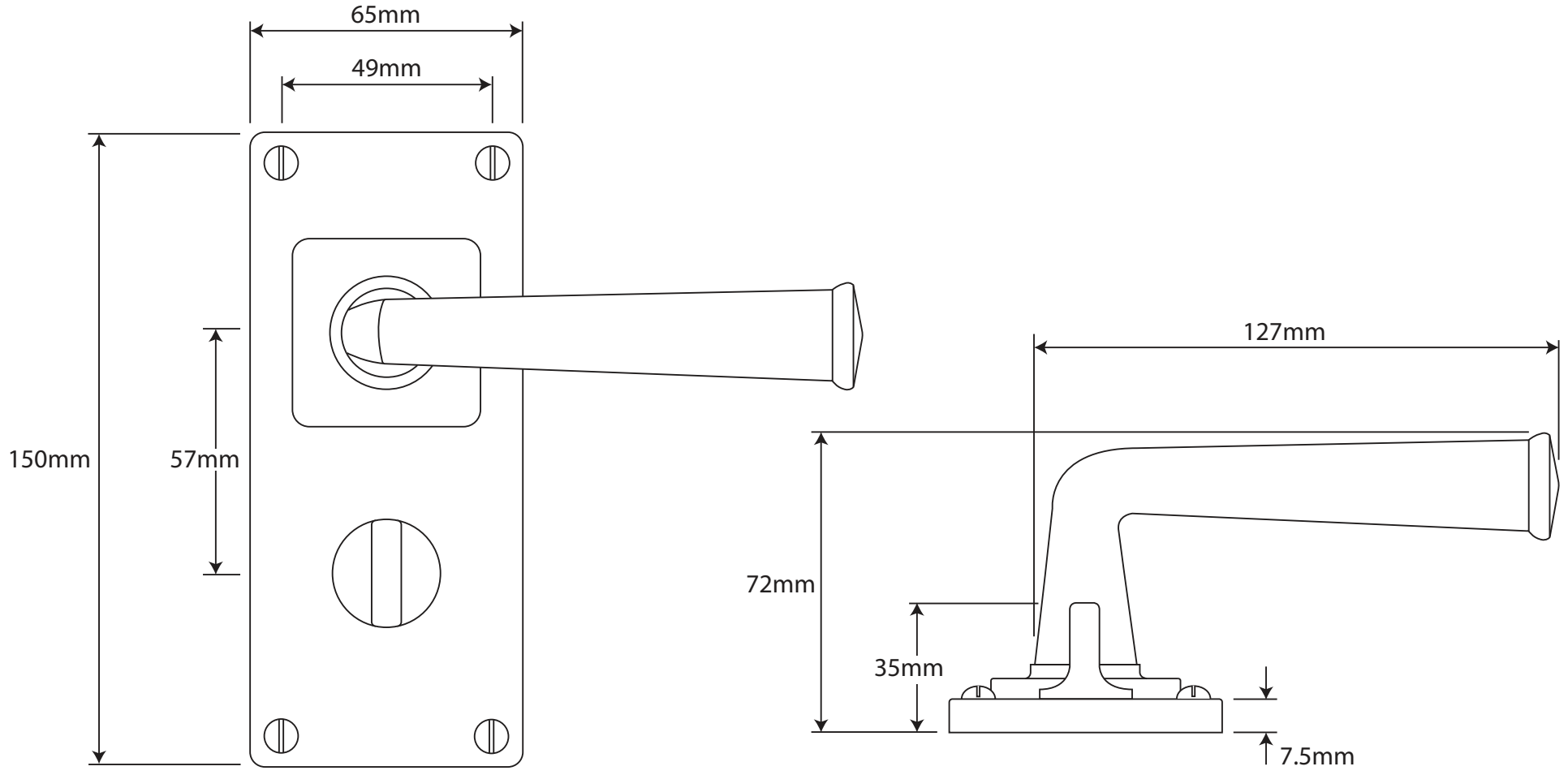


P/N. FD073      ALL DIMENSIONS IN MM UNLESS STATED

THE CONTENTS OF THIS DRAWING ARE COPYRIGHT AND SHOULD NOT BE REPRODUCED WITHOUT THE PERMISSION OF DJH ENGINEERING



						QTY
				<b>DESCRIPTION</b>	<b>DRG.</b>	D. Urwin
				FD073 Allendale Door Lever Jesmond Bathroom Backplate.	<b>DATE</b>	17/09/18
1	17/09/18		<b>LT REF.</b>	H:\Finess & Stonebridge Handle Hardware\Finesse\ Dim Dwgs\FD073.pdf	<b>SCALE</b>	N/A
<b>ISSUE</b>	<b>DATE</b>	<b>REVISION</b>	<b>MATL.</b>	Pewter	<b>CODE</b>	FD073