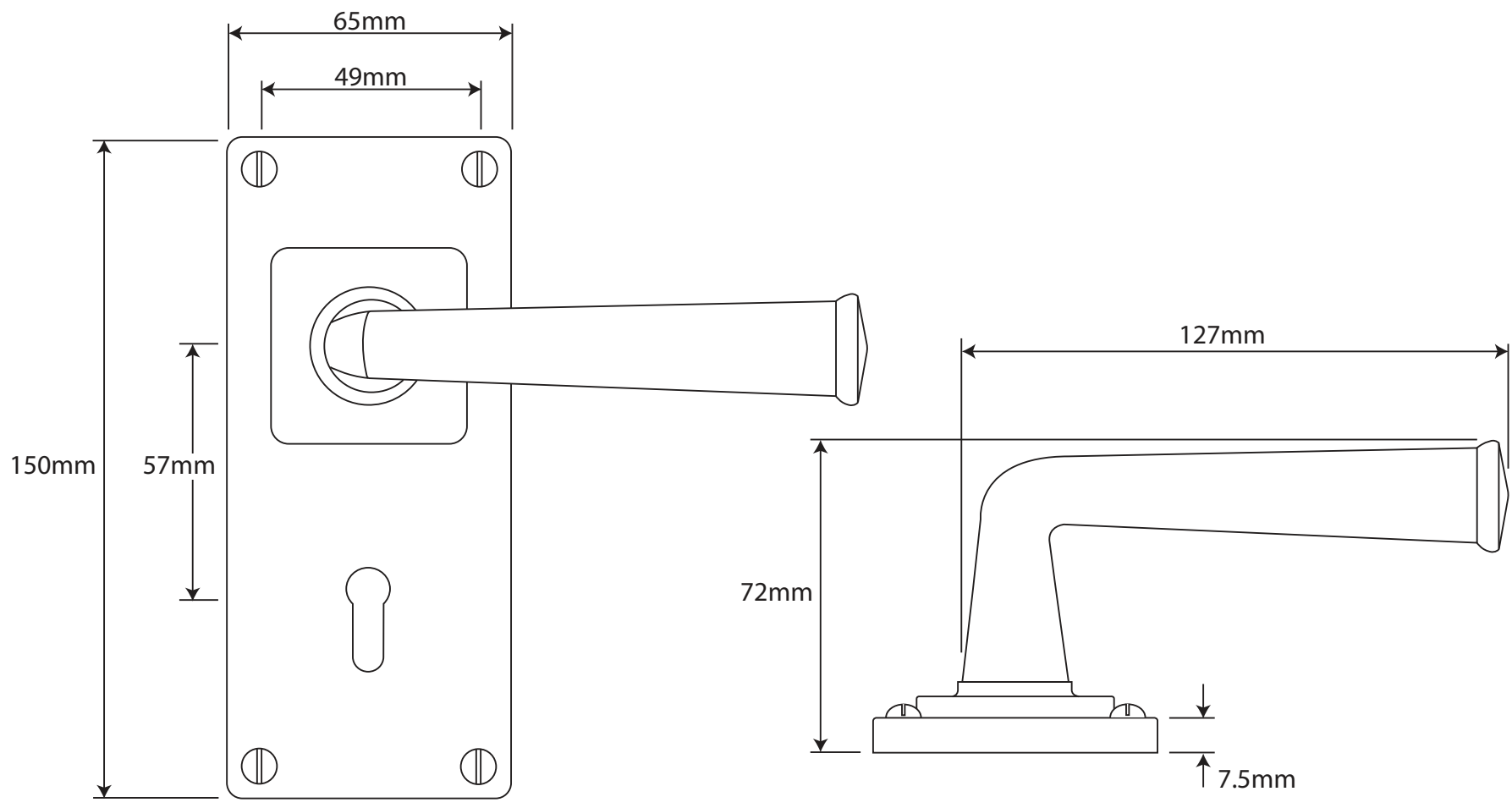


P/N. FD074
 ALL DIMENSIONS IN MM UNLESS STATED
 THE CONTENTS OF THIS DRAWING ARE COPYRIGHT AND SHOULD NOT BE REPRODUCED WITHOUT THE PERMISSION OF DJH ENGINEERING



					QTY
			DESCRIPTION		DRG. D. Urwin
			FD074 Allendale Door Lever JesmondLock/Keyhole Backplate.		DATE 17/09/18
1	17/09/18		LT REF.	H:\Finess & Stonebridge Handle Hardware\Finesse\ Dim Dwgs\FD074.pdf	SCALE N/A
ISSUE	DATE	REVISION	MATL.	Pewter	CODE FD074