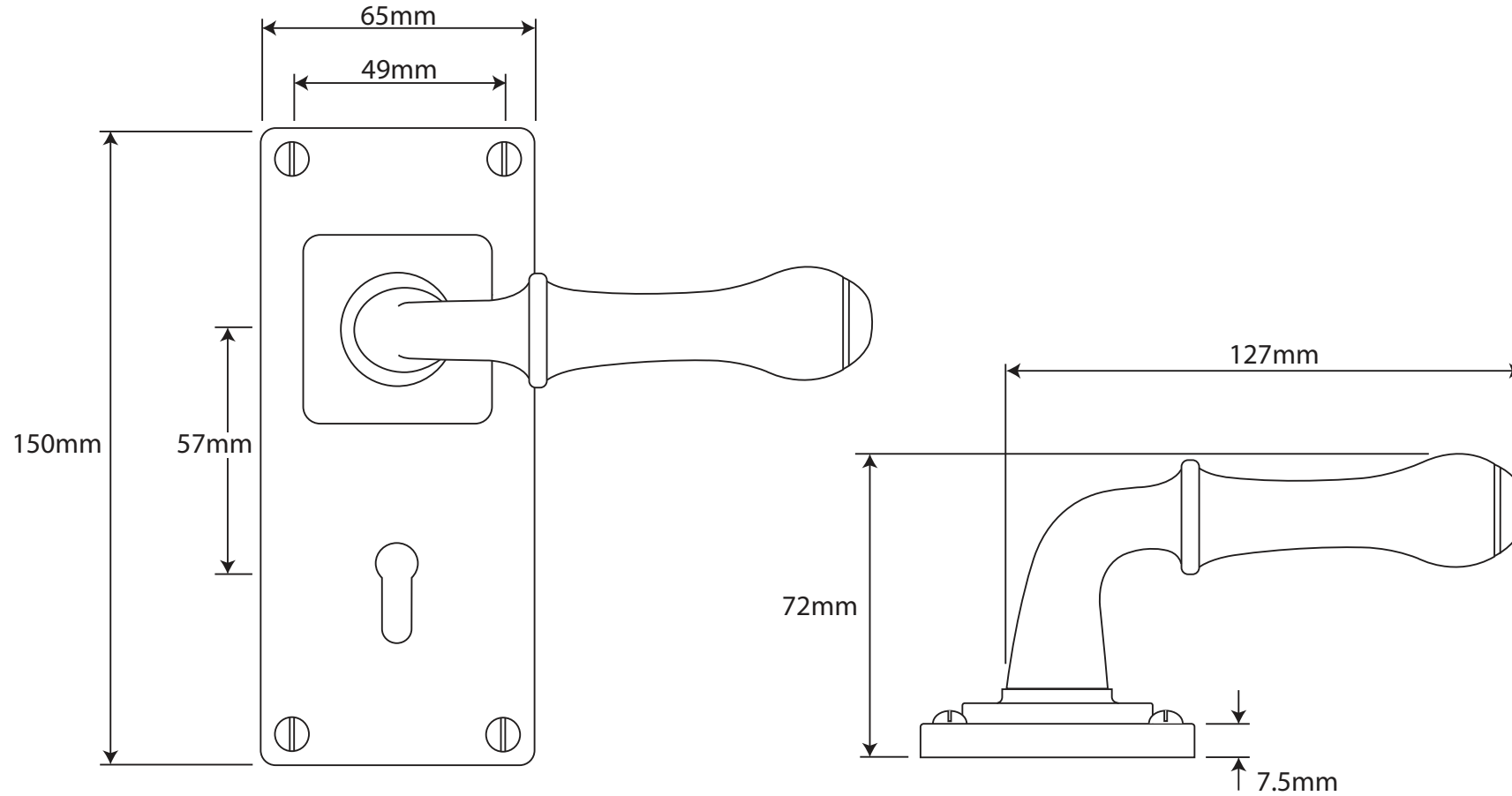


P/N. FD094

ALL DIMENSIONS IN
MM UNLESS STATED

THE CONTENTS OF THIS DRAWING ARE COPYRIGHT AND SHOULD NOT BE
REPRODUCED WITHOUT THE PERMISSION OF DJH ENGINEERING

Finesse
Fine Pewter Hardware
MADE IN BRITAIN



						QTY
				DESCRIPTION	DRG.	D. Urwin
				FD094 Derwent Door Lever Jesmond Lock/Keyhole Backplate.	DATE	20/09/18
1	20/09/18		LT REF.	H:\Finess & Stonebridge Handle Hardware\Finesse\ Dim Dwgs\FD094.pdf	SCALE	N/A
ISSUE	DATE	REVISION	MATL.	Pewter	CODE	FD094