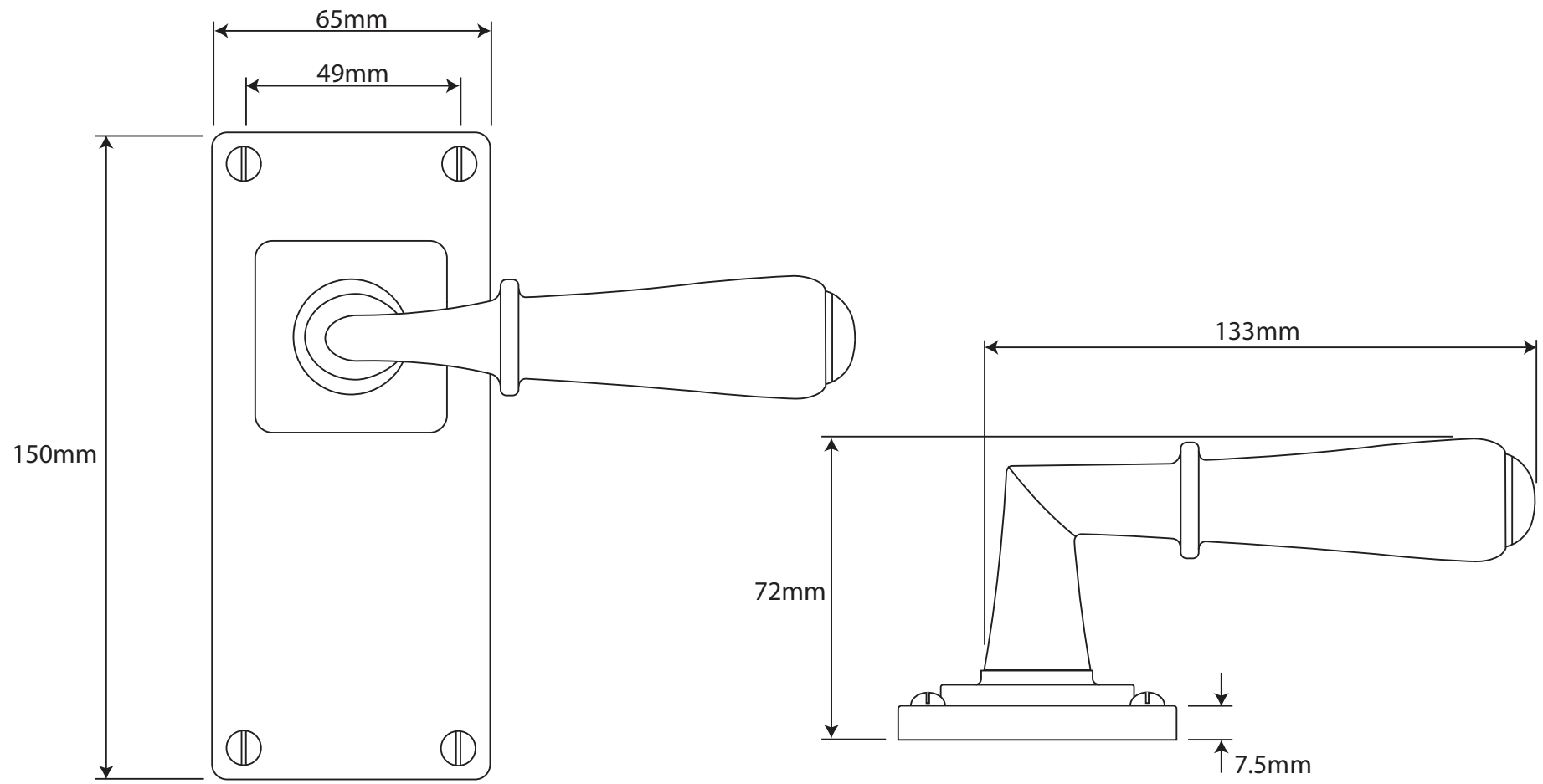


P/N. FD119      ALL DIMENSIONS IN MM UNLESS STATED

THE CONTENTS OF THIS DRAWING ARE COPYRIGHT AND SHOULD NOT BE REPRODUCED WITHOUT THE PERMISSION OF DJH ENGINEERING



					QTY	
			<b>DESCRIPTION</b>		<b>DRG.</b>	D. Urwin
			FD119 Fenwick Door Lever Jesmond Long Latch Backplate.		<b>DATE</b>	18/09/18
1	18/09/18		<b>LT REF.</b>	H:\Finess & Stonebridge Handle Hardware\Finesse\ Dim Dwgs\FD119.pdf	<b>SCALE</b>	N/A
<b>ISSUE</b>	<b>DATE</b>	<b>REVISION</b>	<b>MATL.</b>	Pewter	<b>CODE</b>	FD119