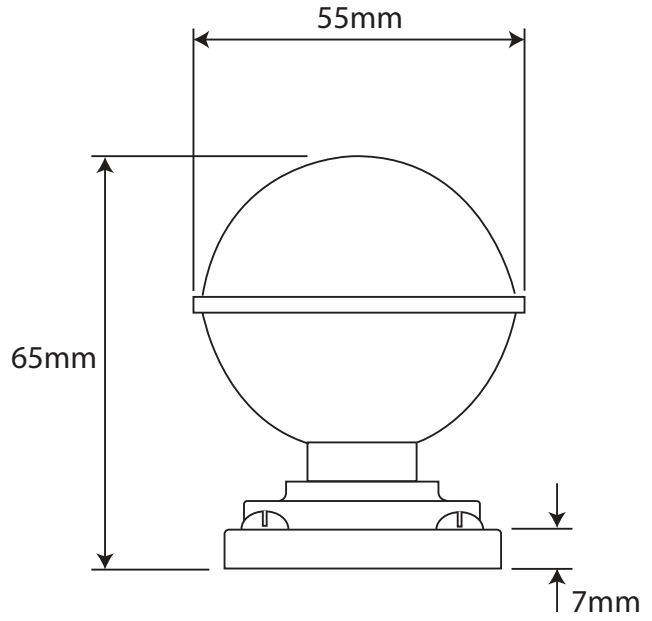
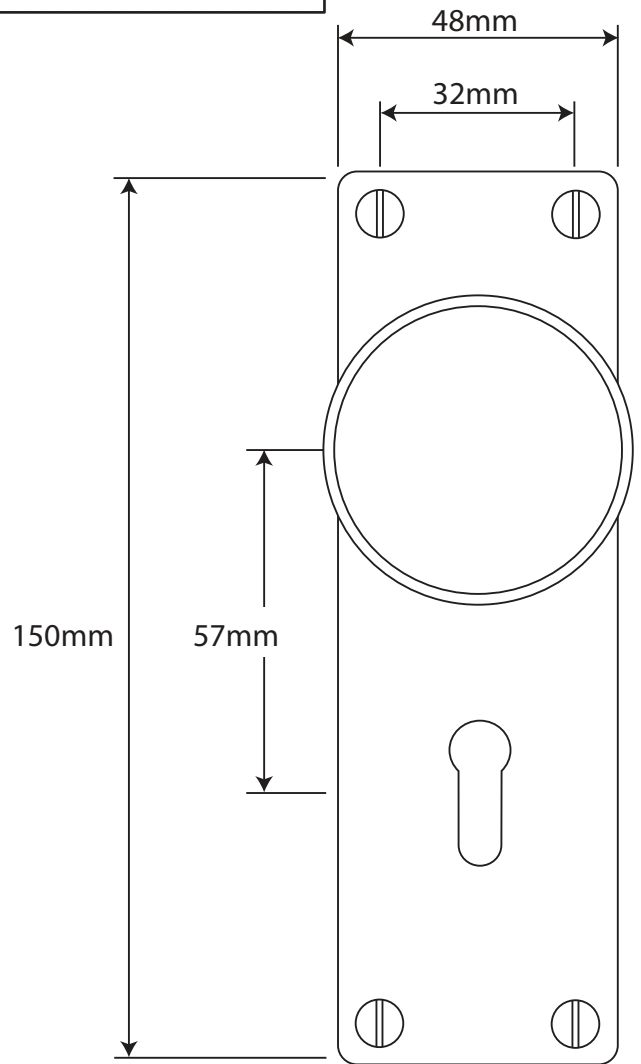


P/N. FD175

ALL DIMENSIONS IN  
MM UNLESS STATED

THE CONTENTS OF THIS DRAWING ARE COPYRIGHT AND SHOULD NOT BE  
REPRODUCED WITHOUT THE PERMISSION OF DJH ENGINEERING



					QTY	
			<b>DESCRIPTION</b>		<b>DRG.</b>	D. Urwin
			FD175 Pelton Door Knob on Lock/Keyhole Backplate.		<b>DATE</b>	10/09/18
1	10/09/18		<b>LT REF.</b>	H:\Finesse & Stonebridge Handle Hardware\Finesse\Dim Dwgs\FD175.pdf	<b>SCALE</b>	N/A
<b>ISSUE</b>	<b>DATE</b>	<b>REVISION</b>	<b>MATL.</b>	Pewter	<b>CODE</b>	FD175