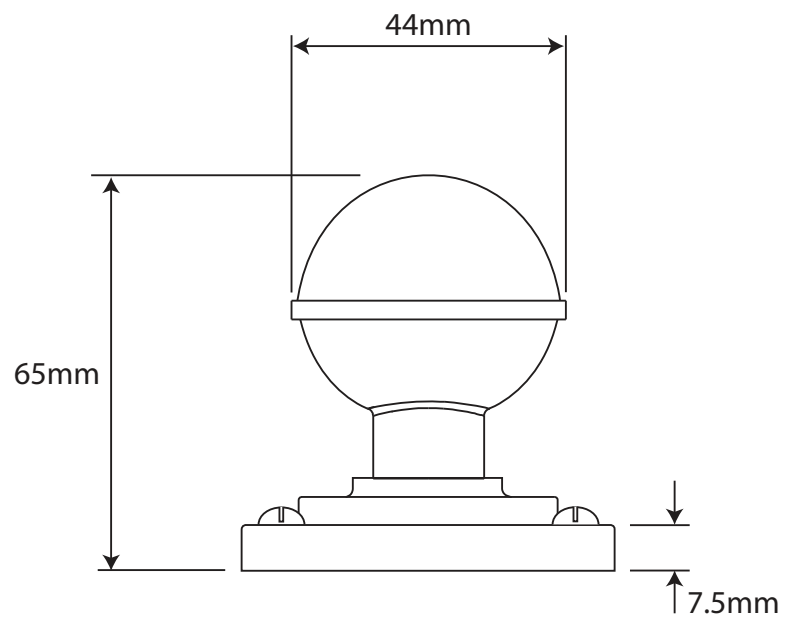
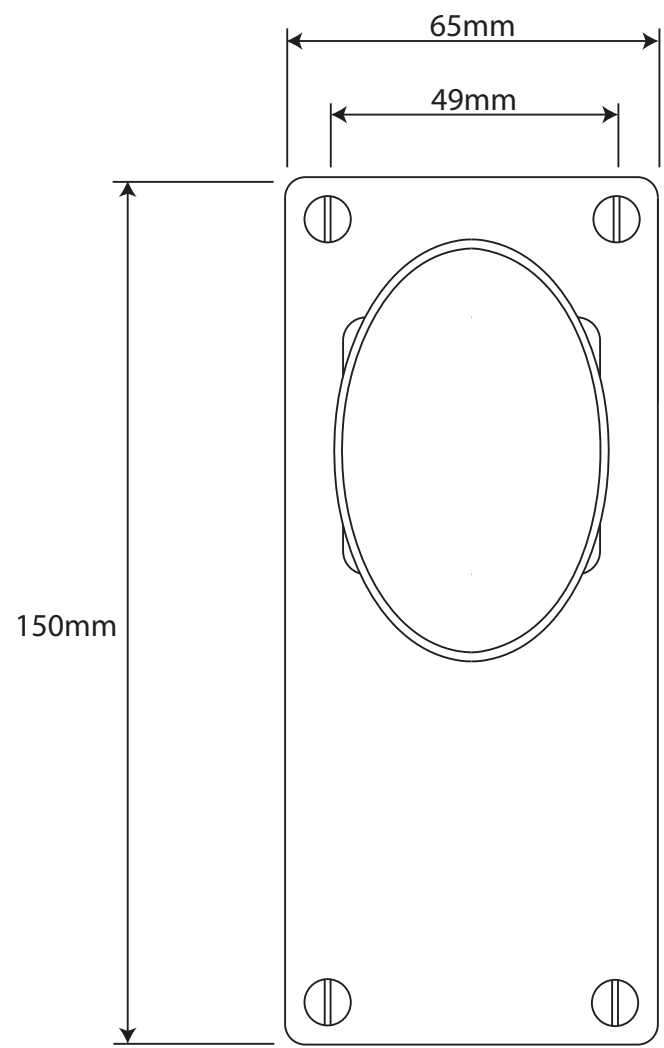


P/N. FD195

ALL DIMENSIONS IN
MM UNLESS STATED

THE CONTENTS OF THIS DRAWING ARE COPYRIGHT AND SHOULD NOT BE
REPRODUCED WITHOUT THE PERMISSION OF DJH ENGINEERING



					QTY
			DESCRIPTION		DRG. D. Urwin
			FD195 Lincoln Door Knob on Jesmond Long Latch Backplate.		DATE 10/09/18
1	10/09/18		LT REF.	H:\Finess & Stonebridge Handle Hardware\Finesse\ Dim Dwgs\FD195.pdf	SCALE N/A
ISSUE	DATE	REVISION	MATL.	Pewter	CODE FD195