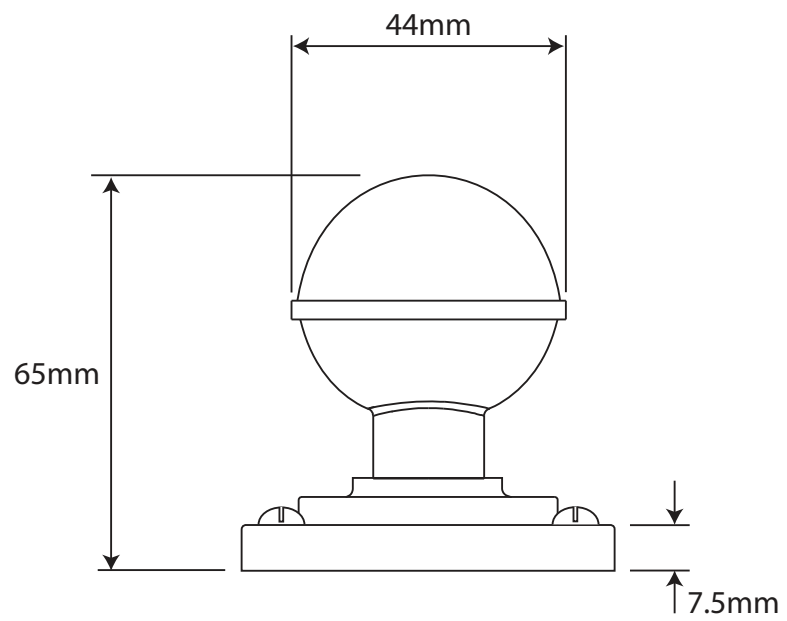
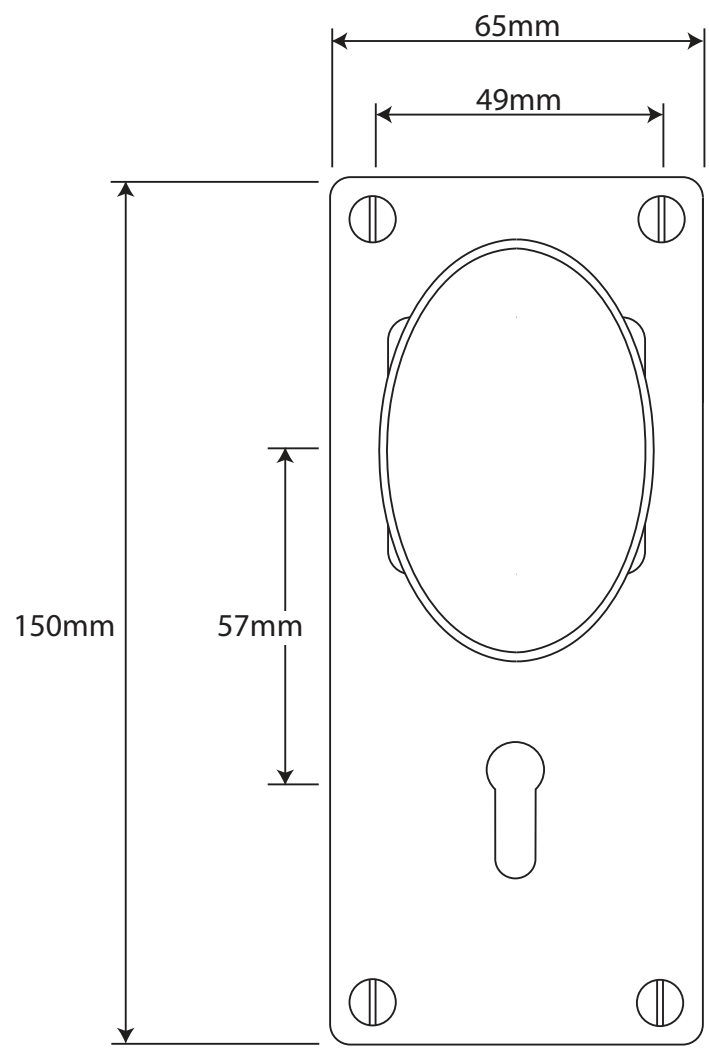


P/N. FD197 ALL DIMENSIONS IN MM UNLESS STATED
 THE CONTENTS OF THIS DRAWING ARE COPYRIGHT AND SHOULD NOT BE REPRODUCED WITHOUT THE PERMISSION OF DJH ENGINEERING



					QTY
			DESCRIPTION		DRG.
			FD197 Lincoln Door Knob on Jesmond Lock/Keyhole Backplate.		DATE
1	10/09/18		LT REF.	H:\Finess & Stonebridge Handle Hardware\Finesse\ Dim Dwgs\FD197.pdf	SCALE
ISSUE	DATE	REVISION	MATL.	Pewter	CODE
					N/A
					FD197