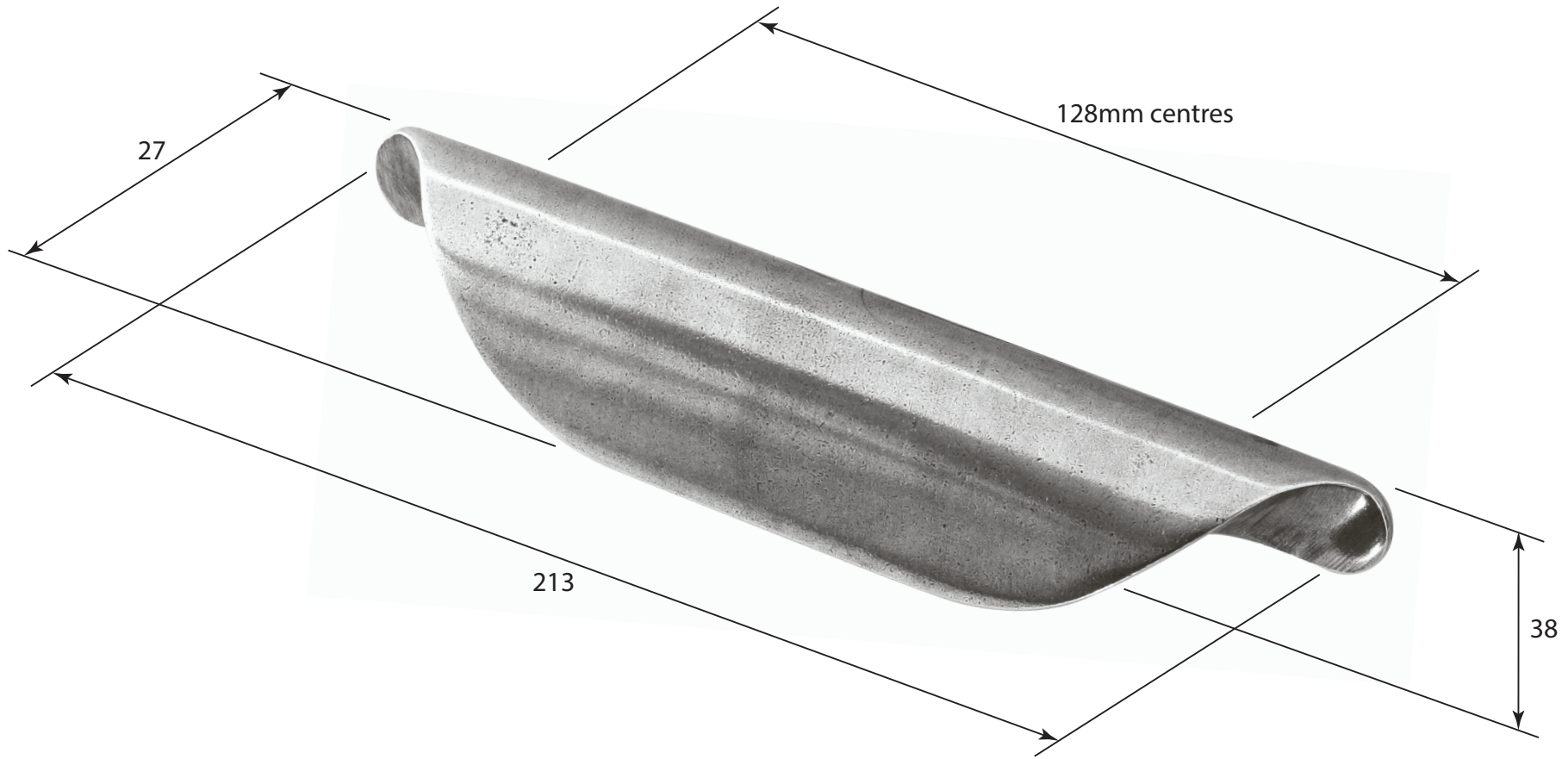


P/N. FD299

ALL DIMENSIONS IN
MM UNLESS STATED

THE CONTENTS OF THIS DRAWING ARE COPYRIGHT AND SHOULD NOT BE
REPRODUCED WITHOUT THE PERMISSION OF DJH ENGINEERING



						QTY	
				DESCRIPTION		DRG.	D. Urwin
				FD299 Hampton Cup Handle		DATE	23/08/18
1	23/08/18		LT REF.	H:\Finesse & Stonebridge Handle Hardware\Finesse\Dim Dwgs\FD299.pdf		SCALE	N/A
ISSUE	DATE	REVISION	MATL.	Pewter		CODE	FD299