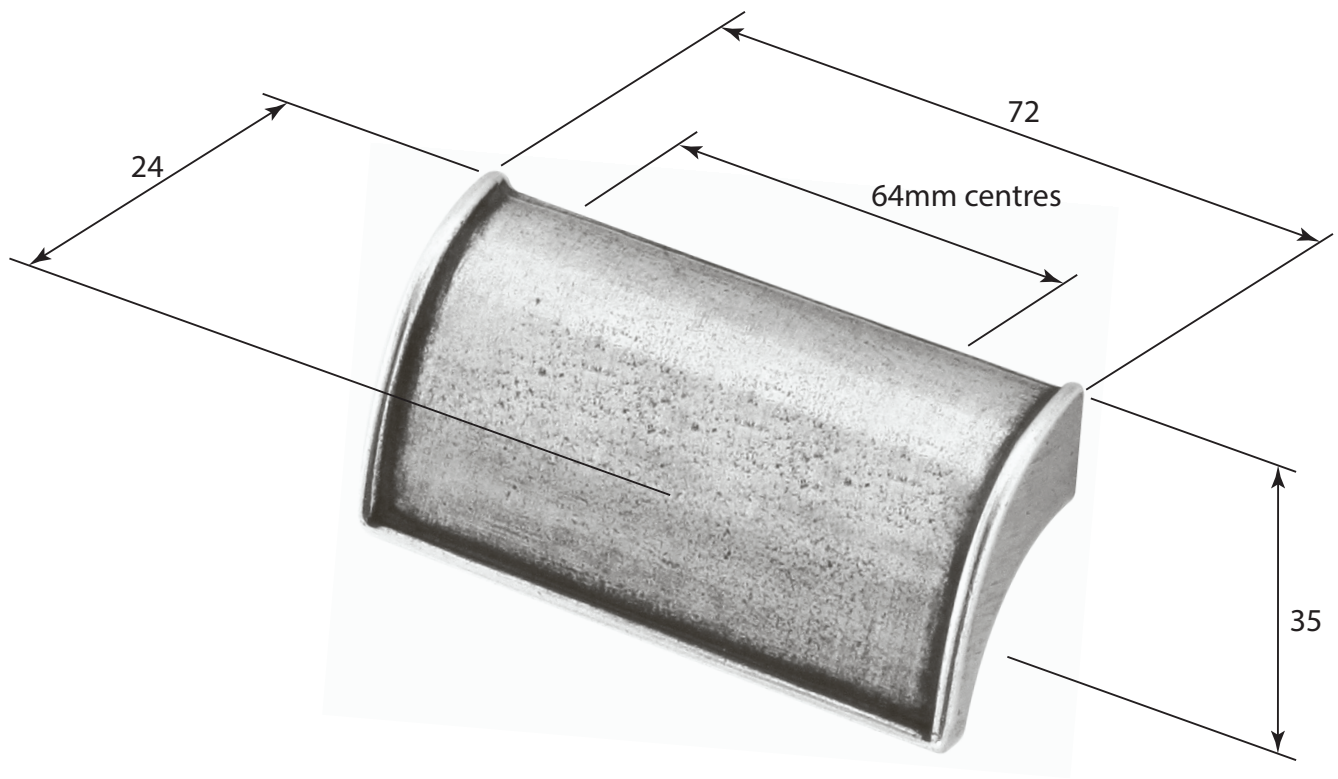


P/N. FD516
 ALL DIMENSIONS IN
 MM UNLESS STATED
 THE CONTENTS OF THIS DRAWING ARE COPYRIGHT AND SHOULD NOT BE
 REPRODUCED WITHOUT THE PERMISSION OF DJH ENGINEERING



						QTY
				DESCRIPTION	DRG.	D. Urwin
				FD516 Burford Cup Handle	DATE	28/08/18
1	28/08/18		LT REF.	H:\Finess & Stonebridge Handle Hardware\Finesse\ Dim Dwgs\FD516pdf	SCALE	N/A
ISSUE	DATE	REVISION	MATL.	Pewter	CODE	FD516