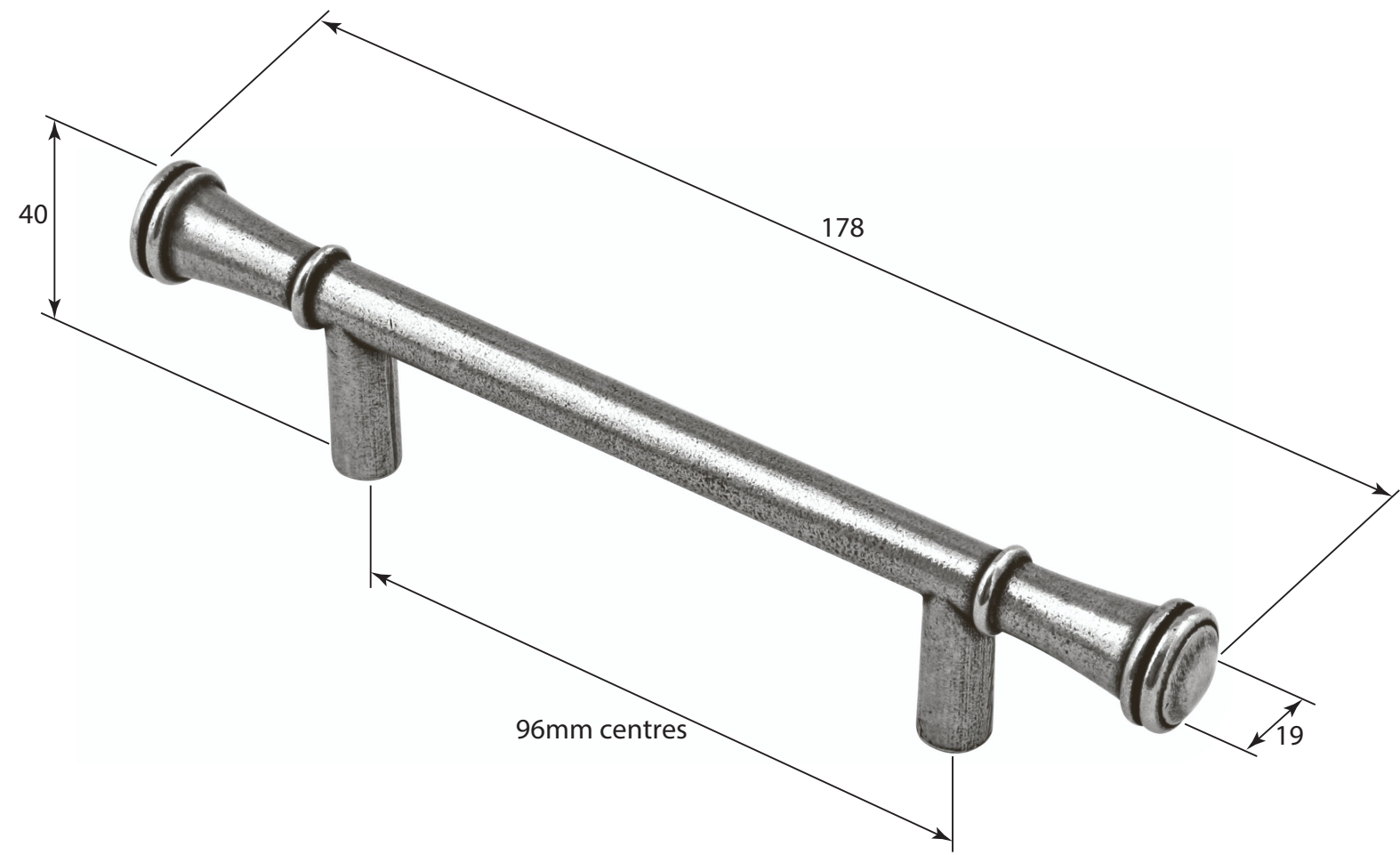


P/N. FD565

ALL DIMENSIONS IN
MM UNLESS STATED

THE CONTENTS OF THIS DRAWING ARE COPYRIGHT AND SHOULD NOT BE
REPRODUCED WITHOUT THE PERMISSION OF DJH ENGINEERING



						QTY	
				DESCRIPTION	DRG.	D. Urwin	
				FD565 Durham Pull Handle (96mm centres)	DATE	31/08/18	
1	31/08/18		LT REF.	H:\Finess & Stonebridge Handle Hardware\Finesse\ Dim Dwgs\FD565.pdf	SCALE	N/A	
ISSUE	DATE	REVISION	MATL.	Pewter	CODE	FD565	