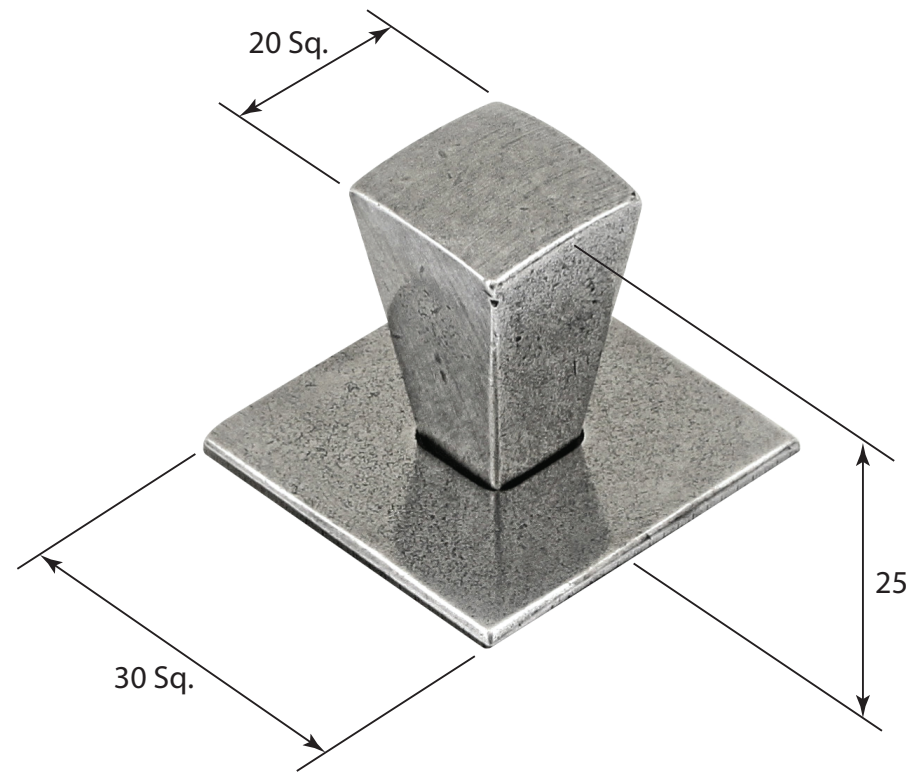


P/N. FD576

ALL DIMENSIONS IN
MM UNLESS STATED

THE CONTENTS OF THIS DRAWING ARE COPYRIGHT AND SHOULD NOT BE
REPRODUCED WITHOUT THE PERMISSION OF DJH ENGINEERING



						QTY	
			DESCRIPTION	DRG.	D. Urwin		
			FD576 Taper Cabinet Knob (includes backplate)	DATE	21/08/18		
1	21/08/18		LT REF.	H:\Finess & Stonebridge Handle Hardware\Finesse\Dim Dwgs\FD576.pdf		SCALE	N/A
ISSUE	DATE	REVISION	MATL.	Pewter	CODE	FD576	