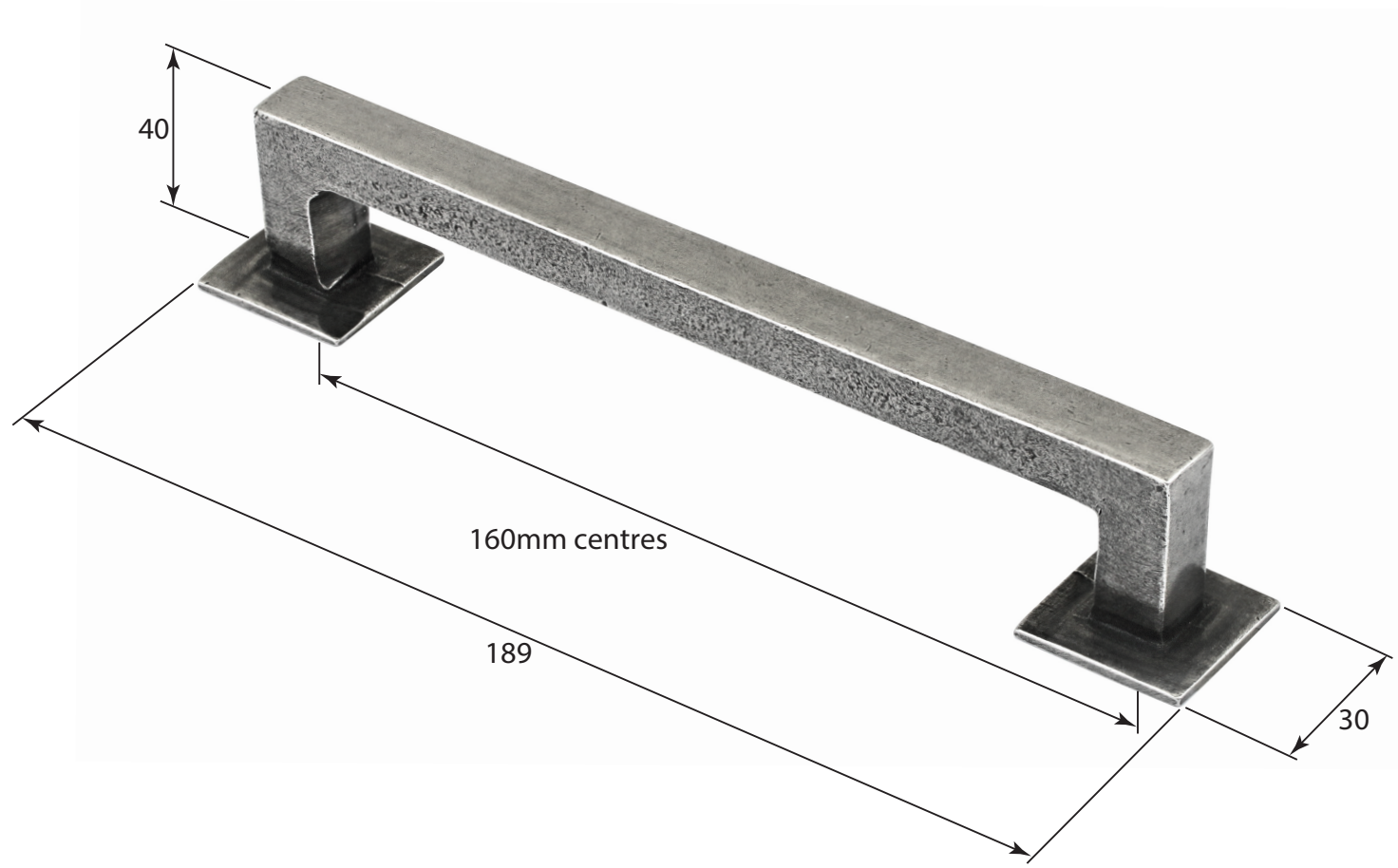


P/N. FD591 ALL DIMENSIONS IN
MM UNLESS STATED

THE CONTENTS OF THIS DRAWING ARE COPYRIGHT AND SHOULD NOT BE
REPRODUCED WITHOUT THE PERMISSION OF DJH ENGINEERING



					QTY	
				DESCRIPTION	DRG.	A. Liddle
				FD591 Healey Pull Handle (160mm centres)	DATE	20/08/18
1	20/08/18		LT REF.	H:\Finess & Stonebridge Handle Hardware\Finesse/ Dim Dwgs\FD591.pdf	SCALE	N/A
ISSUE	DATE	REVISION	MATL.	Pewter	CODE	FD591