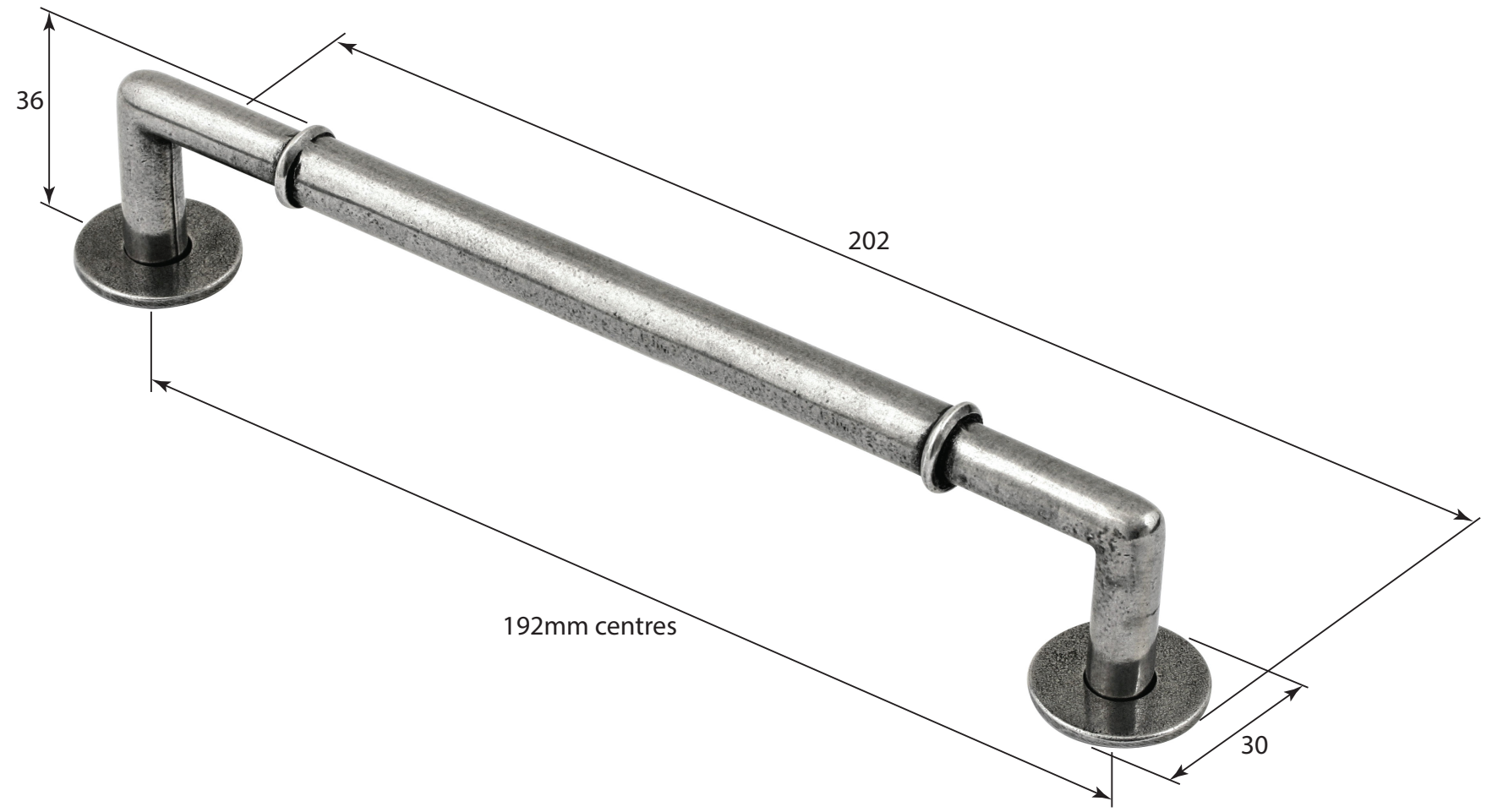


P/N. FD659

ALL DIMENSIONS IN
MM UNLESS STATED

THE CONTENTS OF THIS DRAWING ARE COPYRIGHT AND SHOULD NOT BE
REPRODUCED WITHOUT THE PERMISSION OF DJH ENGINEERING



| | | | | QTY | |
|--------------|-------------|-----------------|---|--------------|----------|
| | | | DESCRIPTION | DRG. | D. Urwin |
| | | | FD659 Goswick Pull Handle (192mm centres) | DATE | 04/09/18 |
| 1 | 04/09/18 | | LT REF. | SCALE | N/A |
| ISSUE | DATE | REVISION | MATL. | CODE | FD659 |
| | | | H:\Finess & Stonebridge Handle Hardware\Finesse/ Dim Dwgs\FD659.pdf | | |
| | | | Pewter | | |