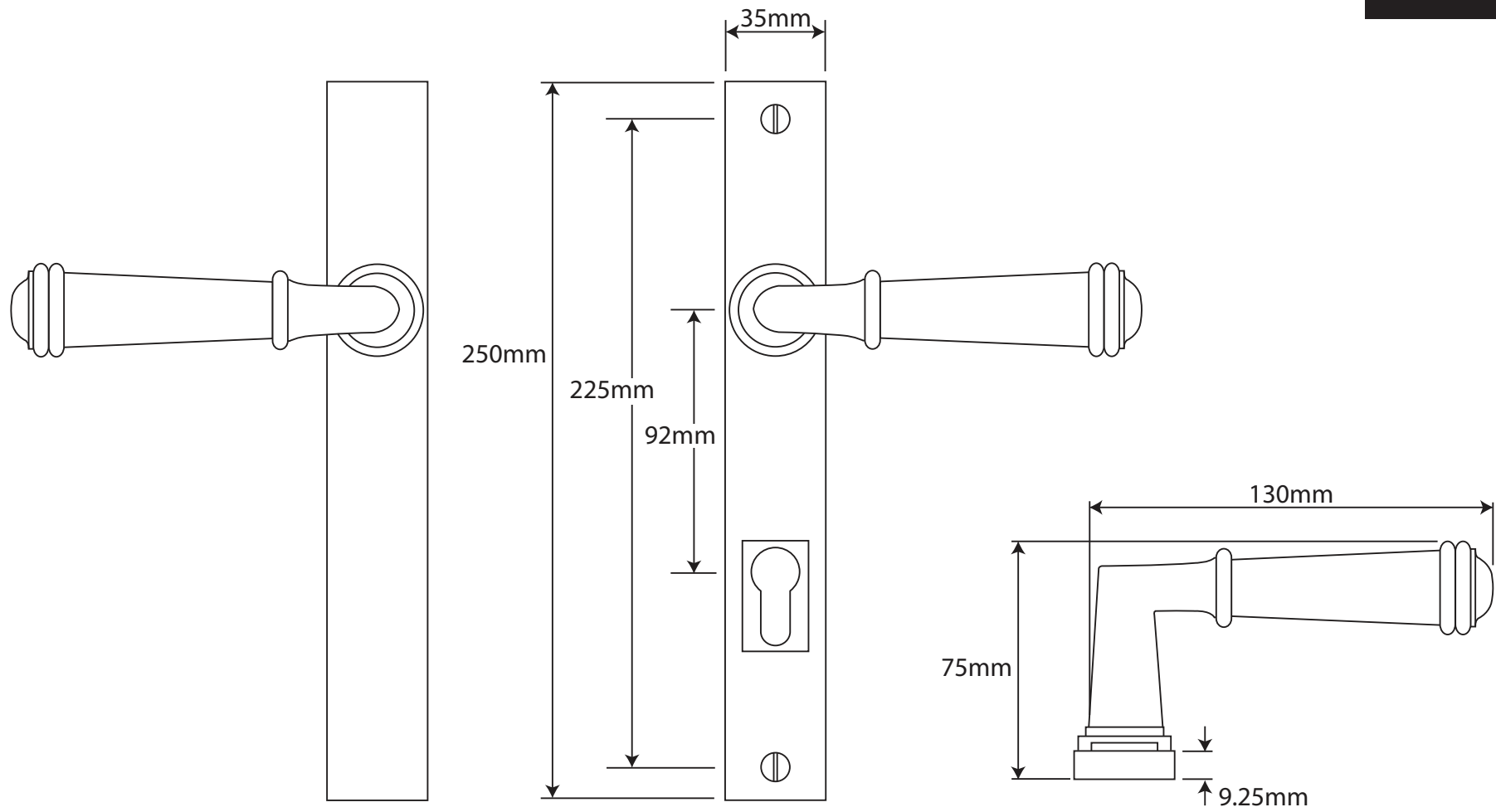


P/N. FDMP06 ALL DIMENSIONS IN MM UNLESS STATED  
 THE CONTENTS OF THIS DRAWING ARE COPYRIGHT AND SHOULD NOT BE REPRODUCED WITHOUT THE PERMISSION OF DJH ENGINEERING



						QTY	
				<b>DESCRIPTION</b>		<b>DRG.</b> D. Urwin	
				FDMP06 Durham Multipoint Patio Backplate.		<b>DATE</b> 20/09/18	
1	20/09/18		<b>LT REF.</b>	H:\Finesse & Stonebridge Handle Hardware\Finesse\ Dim Dwgs\FDMP06.pdf		<b>SCALE</b> N/A	
<b>ISSUE</b>	<b>DATE</b>	<b>REVISION</b>	<b>MATL.</b>	Pewter		<b>CODE</b> FDMP06	