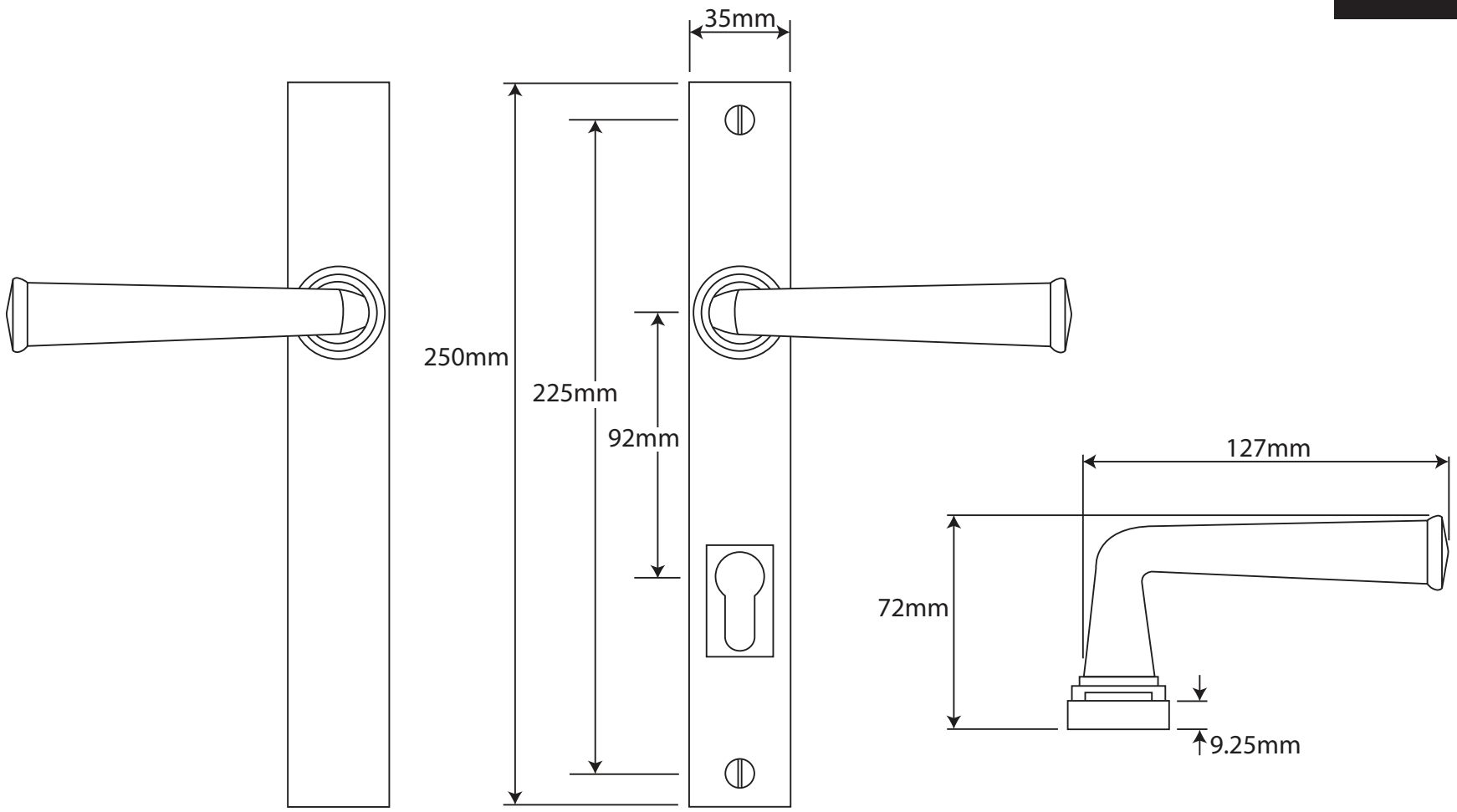


P/N. FDMP07 ALL DIMENSIONS IN MM UNLESS STATED
 THE CONTENTS OF THIS DRAWING ARE COPYRIGHT AND SHOULD NOT BE REPRODUCED WITHOUT THE PERMISSION OF DJH ENGINEERING



				DESCRIPTION		DRG.	QTY
				FDMP07 Allendale Multipoint Patio Backplate.		DATE	D. Urwin
1	17/09/18		LT REF.	H:\Finesse & Stonebridge Handle Hardware\Finesse\ Dim Dwgs\FDMP07.pdf	SCALE	17/09/18	N/A
ISSUE	DATE	REVISION	MATL.	Pewter	CODE	FDMP07	