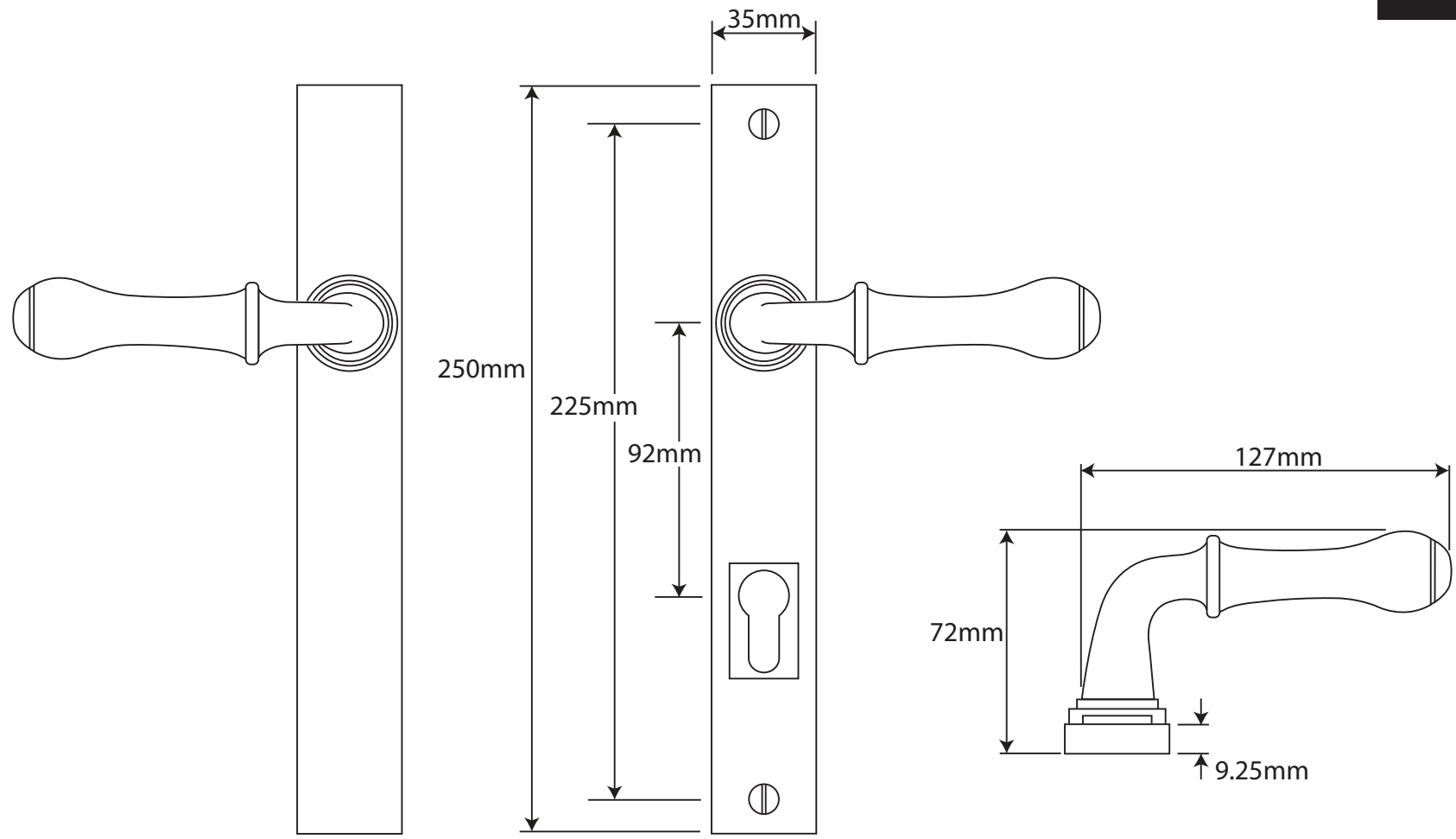


P/N. FDMP09    ALL DIMENSIONS IN MM UNLESS STATED  
 THE CONTENTS OF THIS DRAWING ARE COPYRIGHT AND SHOULD NOT BE REPRODUCED WITHOUT THE PERMISSION OF DJH ENGINEERING



|              |             |                 |  | QTY          |          |
|--------------|-------------|-----------------|--|--------------|----------|
|              |             |                 | <b>DESCRIPTION</b>   | <b>DRG.</b>  | D. Urwin |
|              |             |                 | FDMP09 Derwent Multipoint Patio Backplate.                           | <b>DATE</b>  | 20/09/18 |
| 1            | 20/09/18    |                 | <b>LT REF.</b>   | <b>SCALE</b> | N/A      |
| <b>ISSUE</b> | <b>DATE</b> | <b>REVISION</b> | <b>MATL.</b>   | <b>CODE</b>  | FDMP09   |
|              |             |                 | H:\Finess & Stonebridge Handle Hardware\Finesse\ Dim Dwgs\FDMP09.pdf |              |          |
|              |             |                 | Pewter   |              |          |