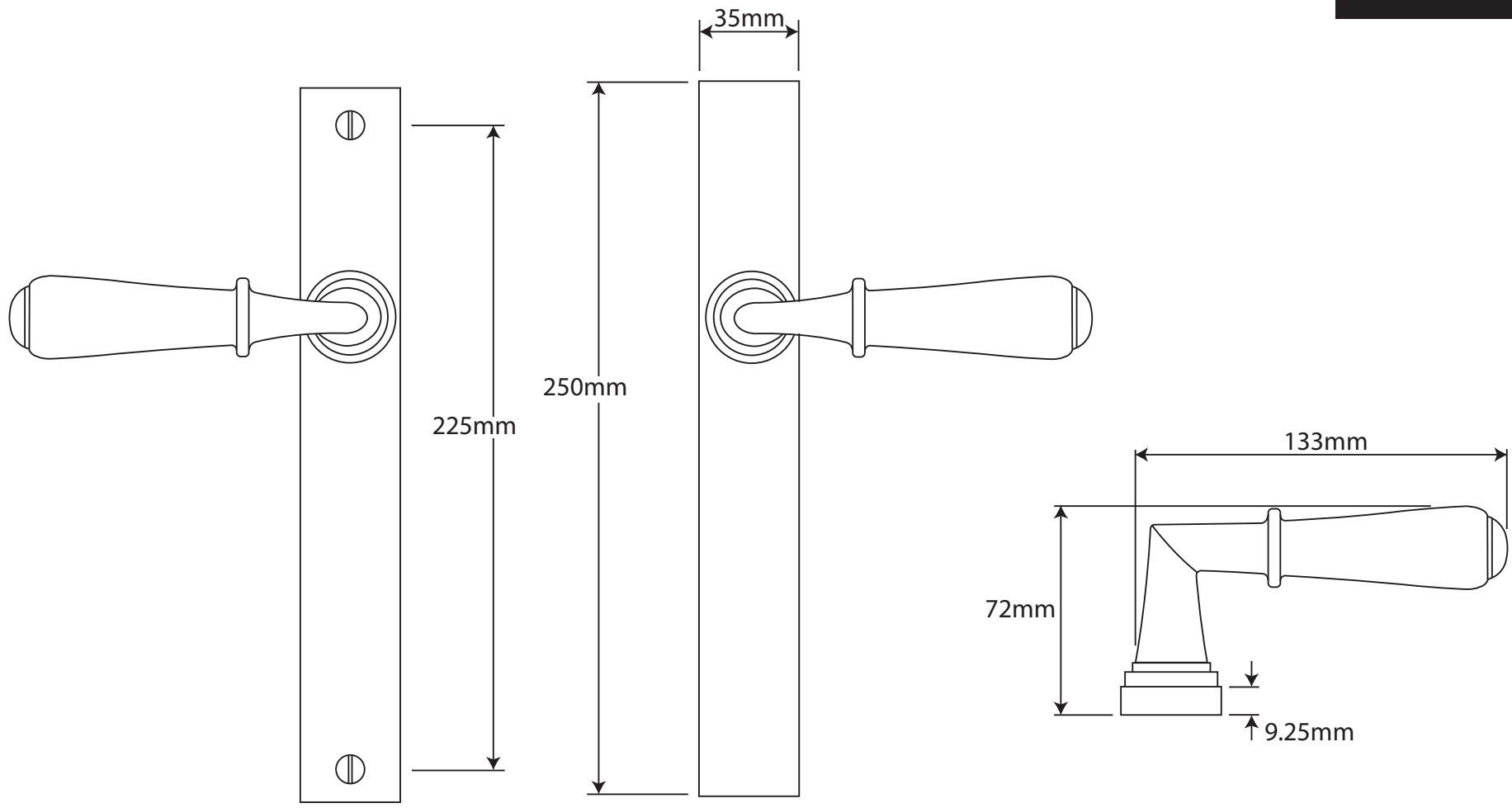


P/N. FDMP15 ALL DIMENSIONS IN MM UNLESS STATED
 THE CONTENTS OF THIS DRAWING ARE COPYRIGHT AND SHOULD NOT BE REPRODUCED WITHOUT THE PERMISSION OF DJH ENGINEERING



				QTY		
			DESCRIPTION	DRG.	D. Urwin	
			FDMP15 Fenwick Multipoint Passage Backplate.	DATE	18/09/18	
1	18/09/18		LT REF.	H:\Finess & Stonebridge Handle Hardware\Finesse\ Dim Dwgs\FDMP15.pdf	SCALE	N/A
ISSUE	DATE	REVISION	MATL.	Pewter	CODE	FDMP15