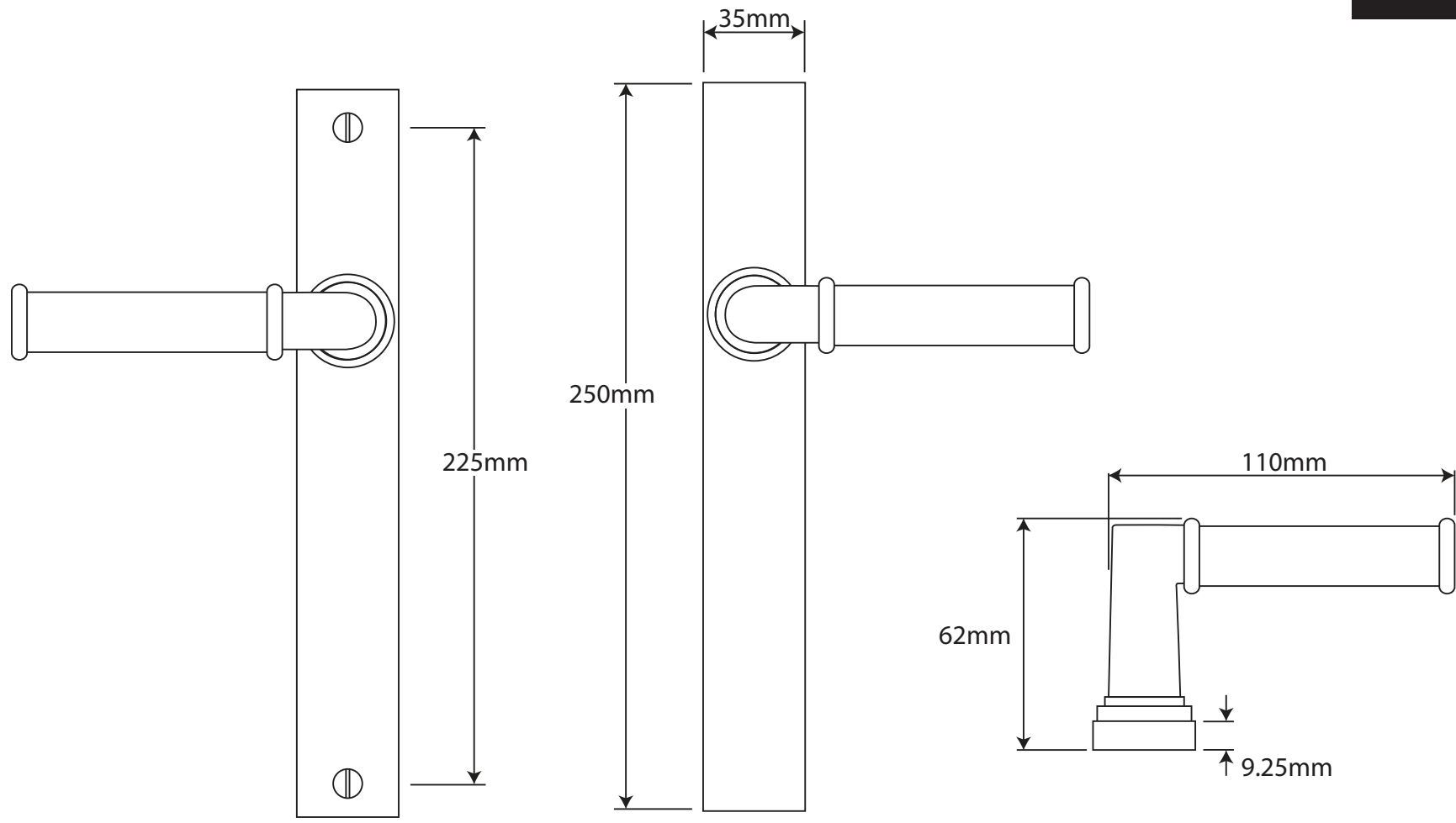


P/N. FDMP21    ALL DIMENSIONS IN MM UNLESS STATED  
 THE CONTENTS OF THIS DRAWING ARE COPYRIGHT AND SHOULD NOT BE REPRODUCED WITHOUT THE PERMISSION OF DJH ENGINEERING



						QTY
				<b>DESCRIPTION</b>		DRG.
				FDMP21 Wexford Multipoint Passage Backplate.		DATE
1	17/09/18		<b>LT REF.</b>	H:\Finess & Stonebridge Handle Hardware\Finesse\ Dim Dwgs\FDMP21.pdf	<b>SCALE</b>	N/A
<b>ISSUE</b>	<b>DATE</b>	<b>REVISION</b>	<b>MATL.</b>	Pewter	<b>CODE</b>	FDMP21