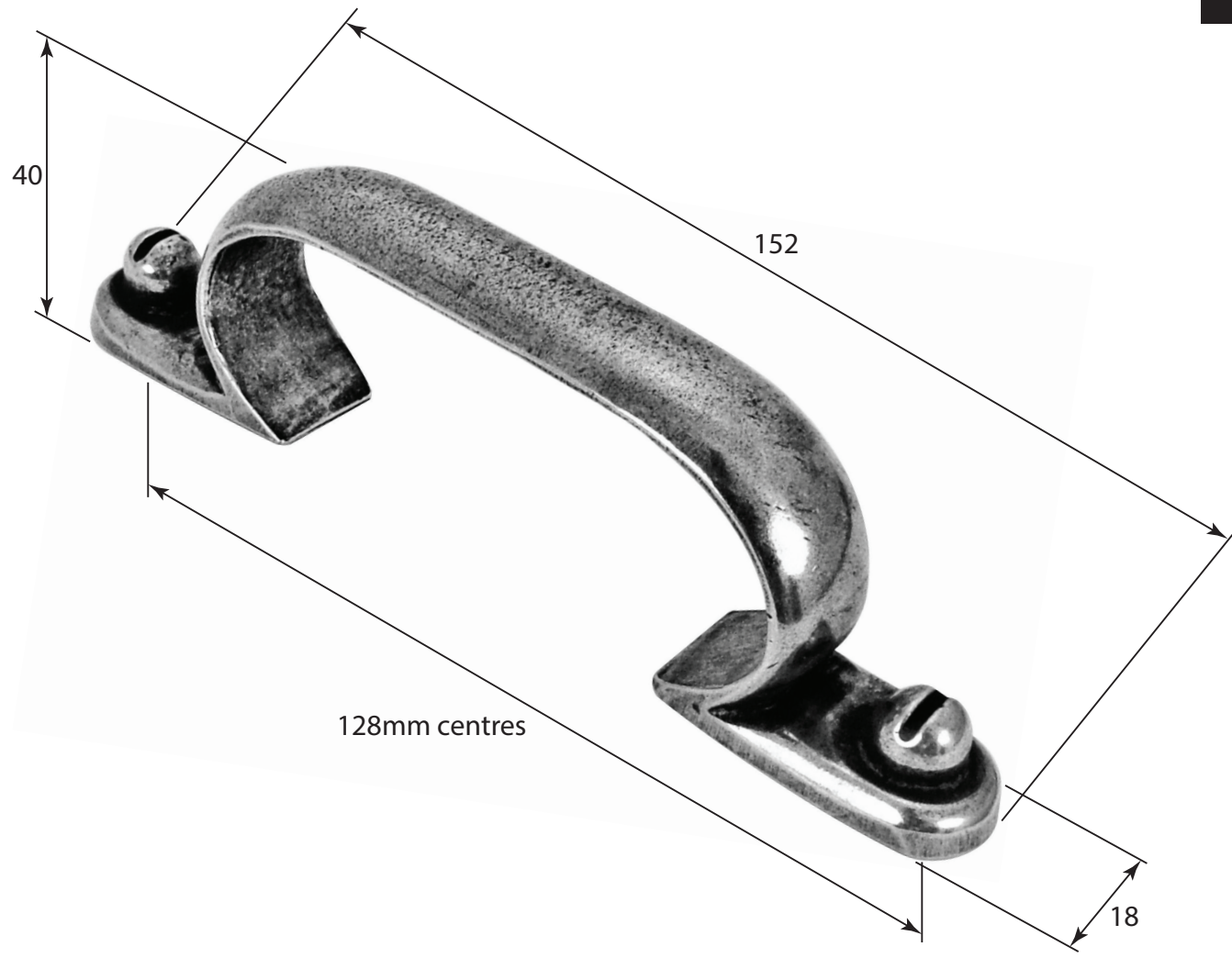


P/N. PPH035  
 ALL DIMENSIONS IN  
 MM UNLESS STATED  
 THE CONTENTS OF THIS DRAWING ARE COPYRIGHT AND SHOULD NOT BE  
 REPRODUCED WITHOUT THE PERMISSION OF DJH ENGINEERING



				QTY		
				<b>DRG.</b>	D. Urwin	
				<b>DATE</b>	05/09/18	
1	05/09/18		<b>LT REF.</b>	H:\Finess & Stonebridge Handle Hardware\Finesse/ Dim Dwgs/PPH035.pdf	<b>SCALE</b>	N/A
<b>ISSUE</b>	<b>DATE</b>	<b>REVISION</b>	<b>MATL.</b>	Pewter	<b>CODE</b>	PPH035

**DESCRIPTION**

PPH035 Felling Pull Handle (128mm centres)