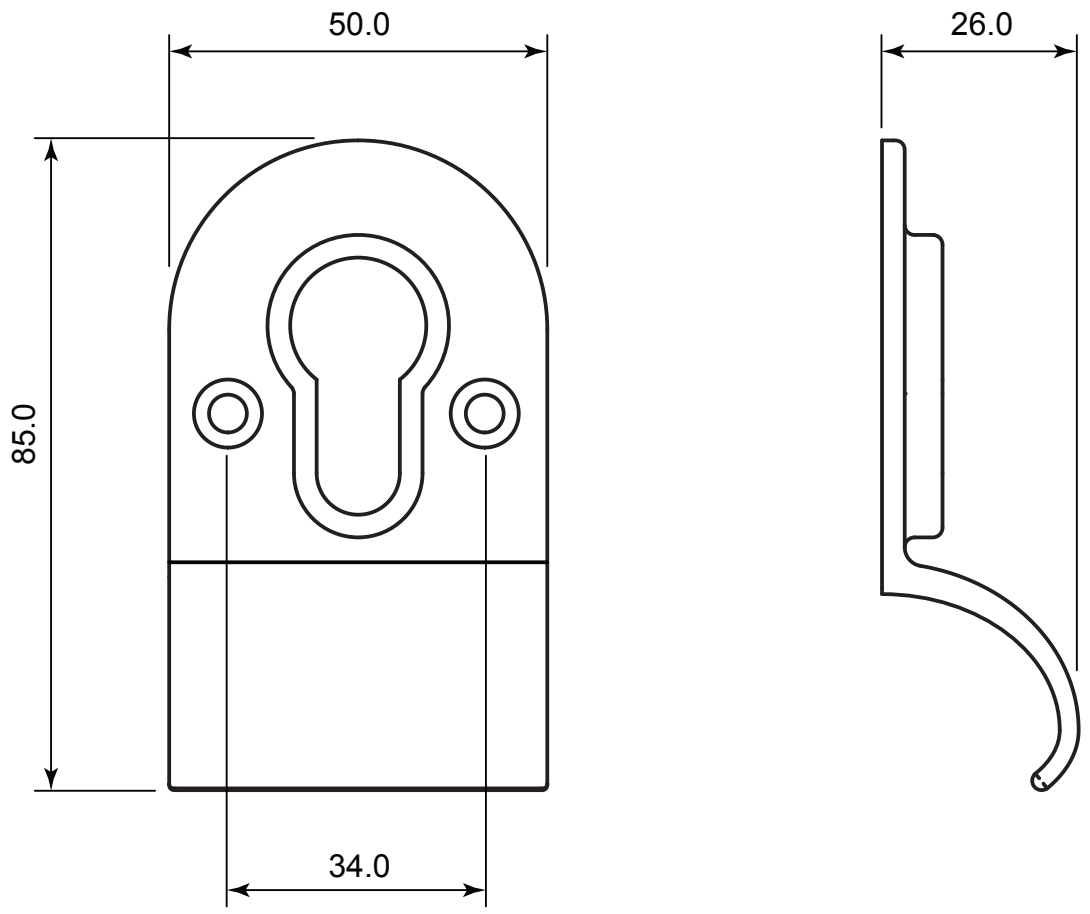


P/N. SS1102 ALL DIMENSIONS IN MM UNLESS STATED

THE CONTENTS OF THIS DRAWING ARE COPYRIGHT AND SHOULD NOT BE REPRODUCED WITHOUT THE PERMISSION OF DJH ENGINEERING



					QTY	
			DESCRIPTION	DRG.	D. Urwin	
			SS1102 Euro Cylinder Pull	DATE	28/01/19	
1	28/01/19		LT REF.	H:\Finess & Stonebridge Handle Hardware\Stonebridge-CAD\ Dim Dwgs\SS1102.pdf	SCALE	N/A
ISSUE	DATE	REVISION	MATL.	Forged Steel (satin steel finish)	CODE	SS1102