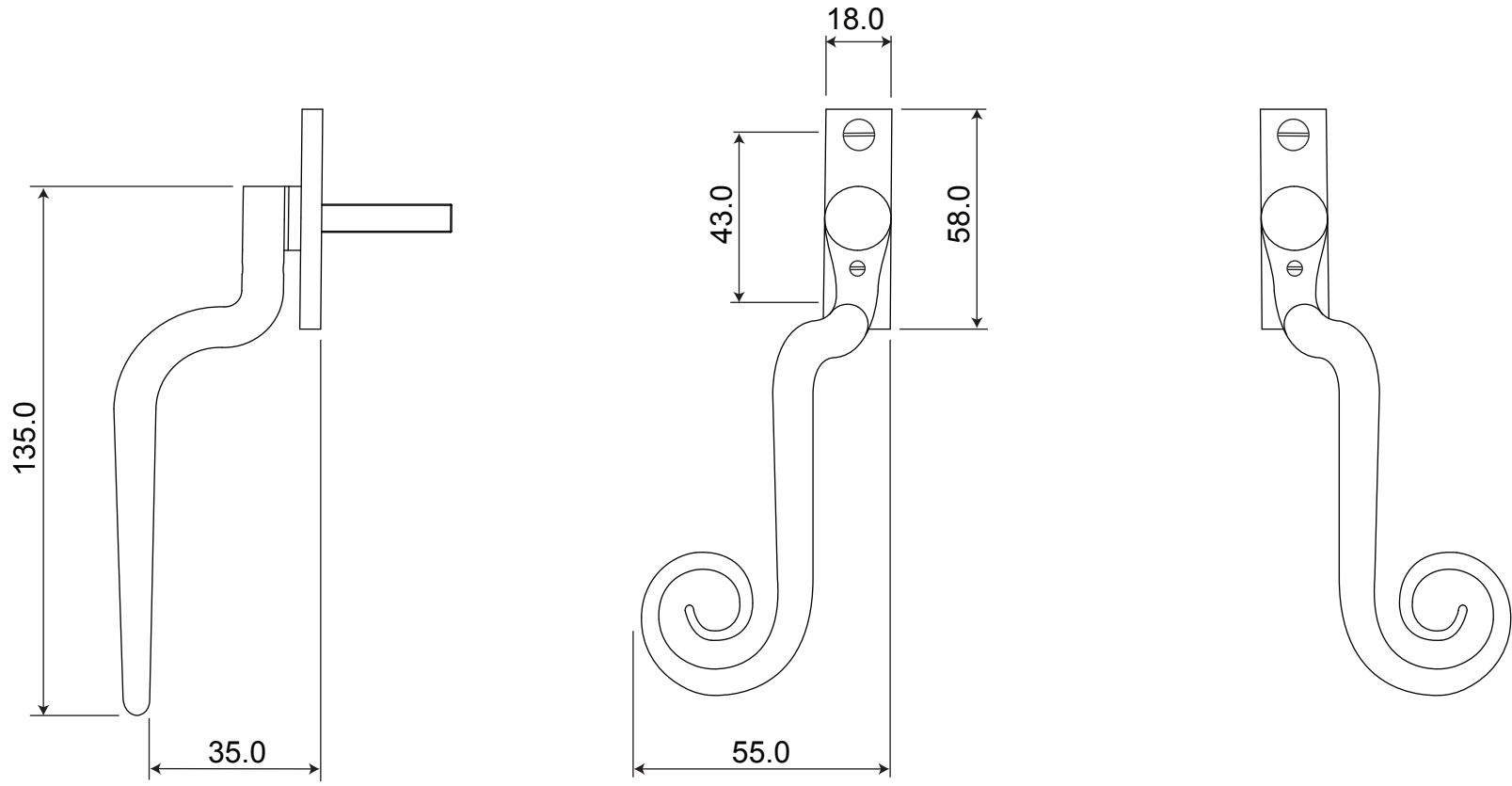


P/N.SS1201R & SS1201L
ALL DIMENSIONS IN MM UNLESS STATED
 THE CONTENTS OF THIS DRAWING ARE COPYRIGHT AND SHOULD NOT BE REPRODUCED WITHOUT THE PERMISSION OF DJH ENGINEERING



					QTY
			DESCRIPTION		DRG.
			SS1201R & SS1201L Curl Cranked Window Espag.		D. Urwin
					DATE
					28/01/19
1	28/01/19		LT REF.	H:\Finess & Stonebridge Handle Hardware\Stonebridge-CAD\ Dim Dwgs\SS1201R&SS1201L.pdf	SCALE
					N/A
ISSUE	DATE	REVISION	MATL.	Forged Steel (satin steel finish)	CODE
					SS1102