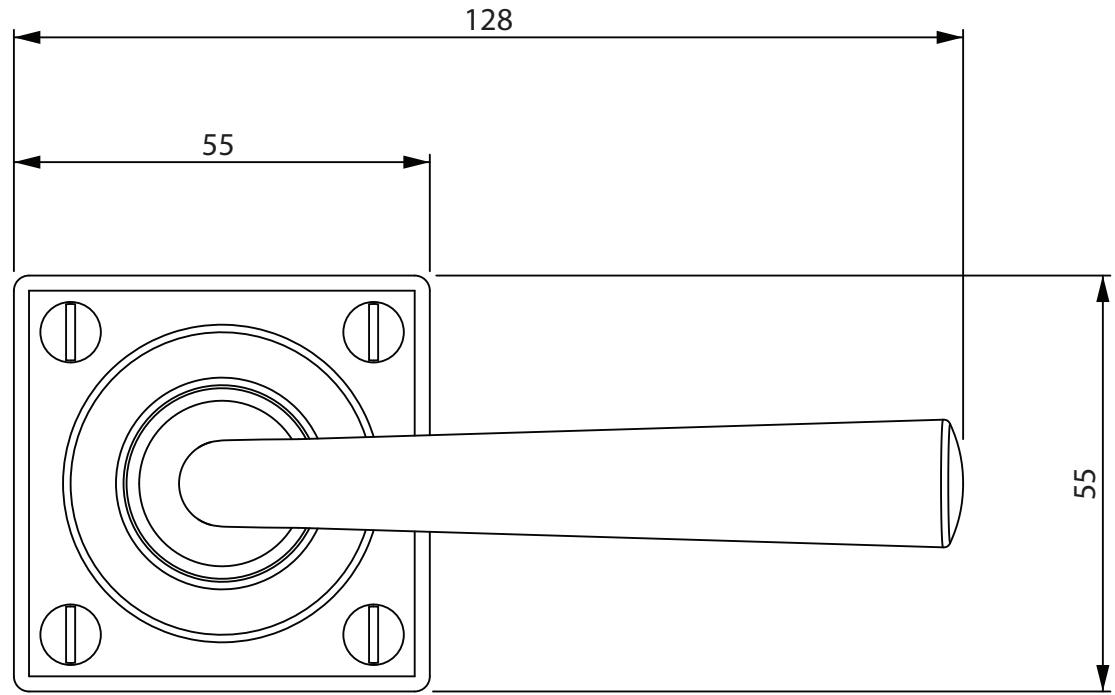
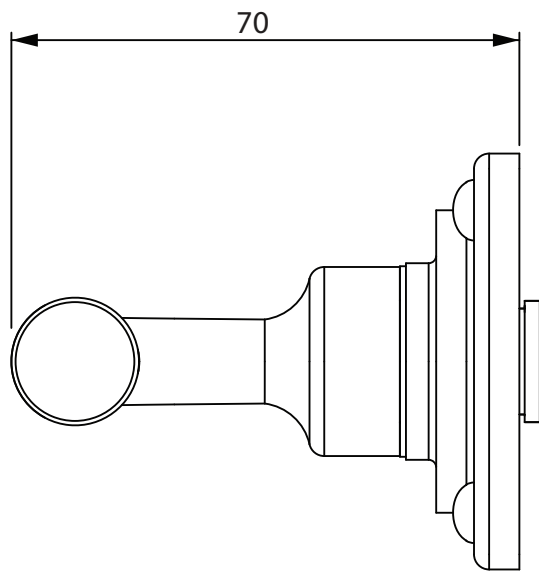


P/N. SB-L-PAD-002 **ALL DIMENSIONS IN MM UNLESS STATED**
 THE CONTENTS OF THIS DRAWING ARE COPYRIGHT AND SHOULD NOT BE REPRODUCED WITHOUT THE PERMISSION OF DJH ENGINEERING



				QTY	
			DESCRIPTION	DRG.	D. Urwin
			SB-L-PAD-002 Padstow Door Lever Square Rose Backplate.	DATE	03/10/18
1	03/10/18		LT REF.	SCALE	N/A
ISSUE	DATE	REVISION	MATL.	Forged Steel (natural black finish)	CODE
					SB-L-PAD-002

H:\Finess & Stonebridge Handle Hardware\Stonebridge-CAD\ Dim Dwgs\SB-L-PAD-002.pdf