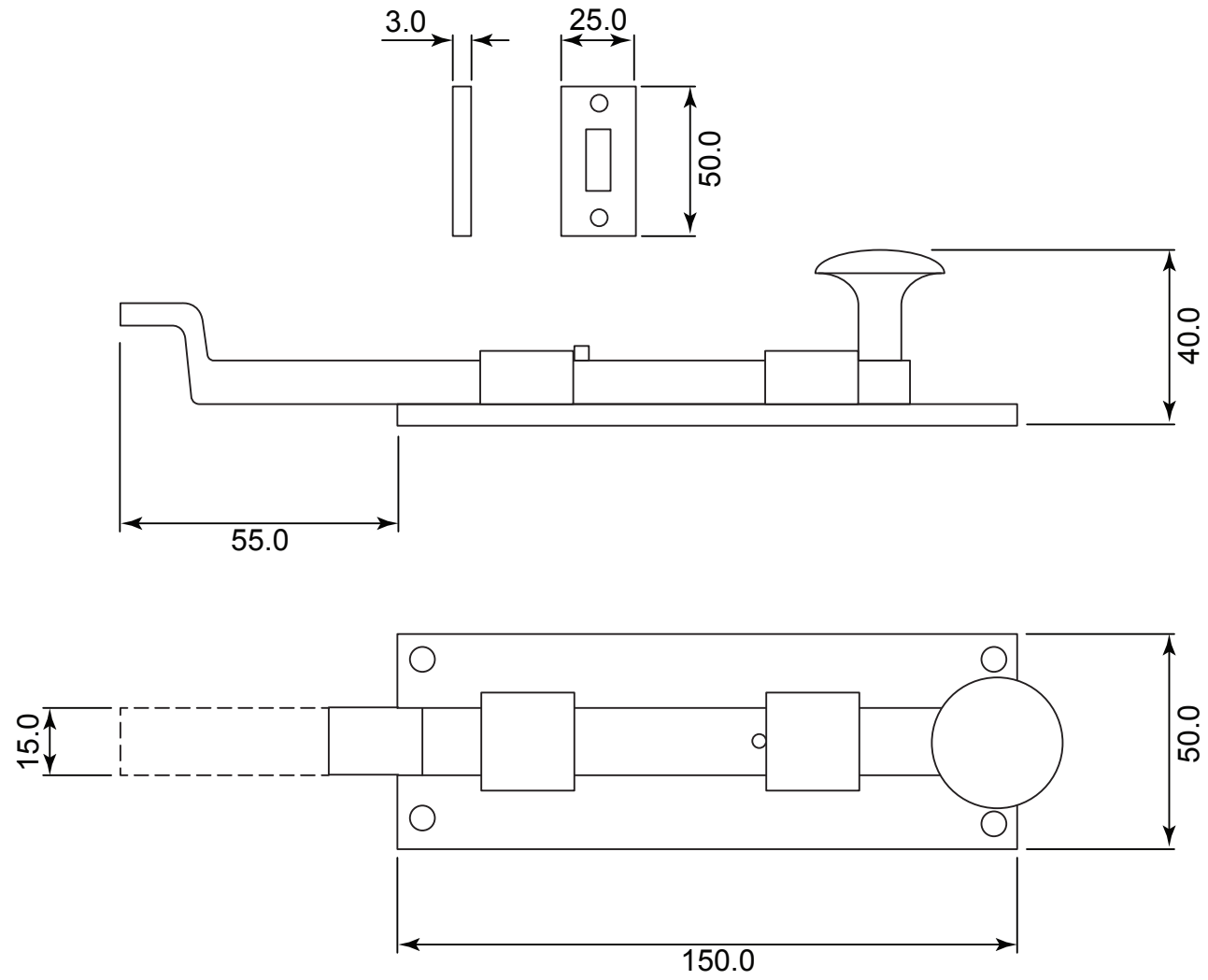


P/N. SS724/FB124 ALL DIMENSIONS IN MM UNLESS STATED
 THE CONTENTS OF THIS DRAWING ARE COPYRIGHT AND SHOULD NOT BE REPRODUCED WITHOUT THE PERMISSION OF DJH ENGINEERING



					QTY
			DESCRIPTION	DRG.	D. Urwin
			SS724 & FB124 Knob Bolt 4" Cranked	DATE	08/03/19
1	08/03/19		LT REF.	SCALE	N/A
ISSUE	DATE	REVISION	MATL.	CODE	SS724/FB124

H:\Finess & Stonebridge Handle Hardware\Stonebridge-CAD\ Dim Dwgs\SS724&FB124.pdf