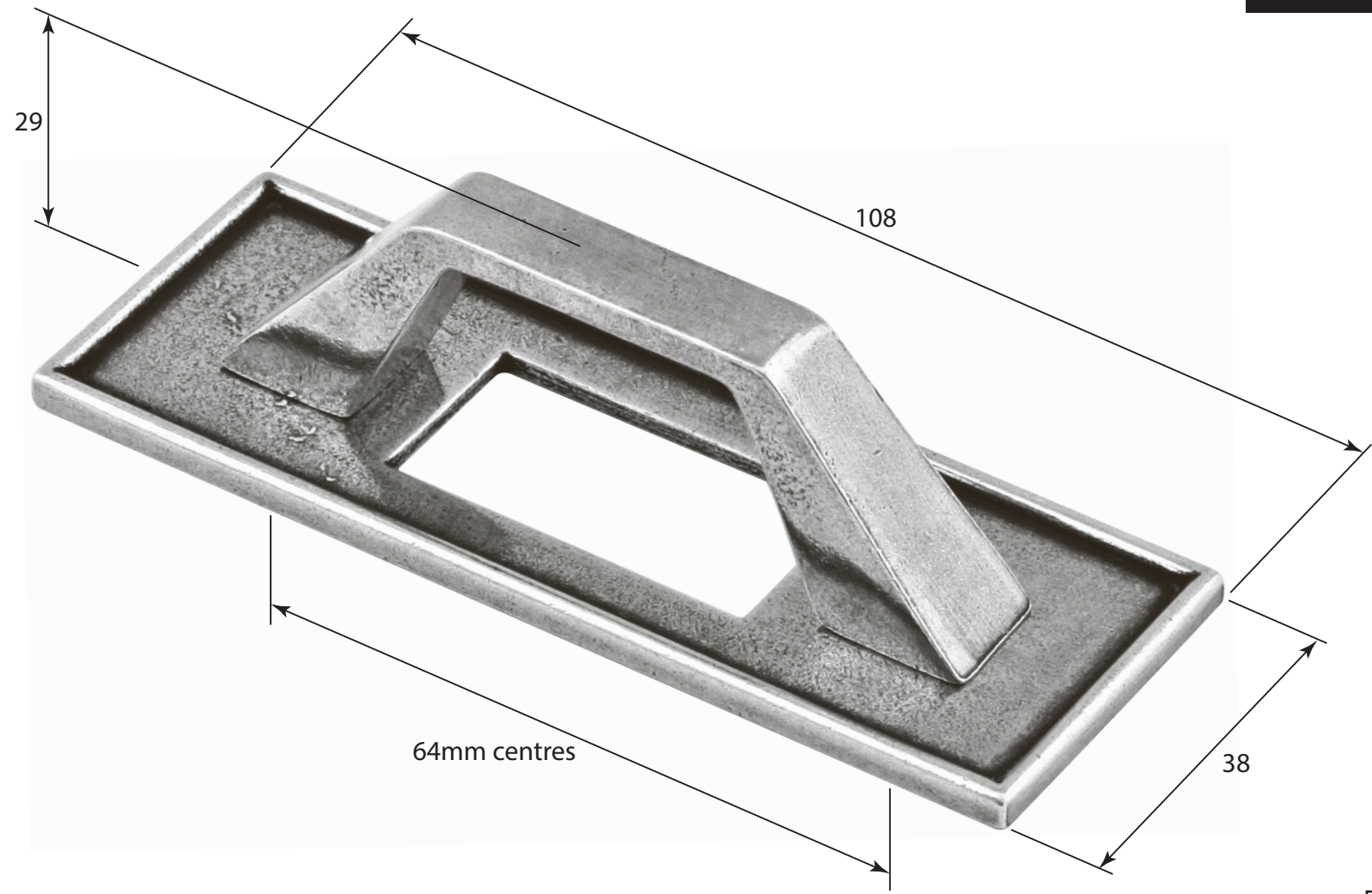


P/N. FD513  
 ALL DIMENSIONS IN MM UNLESS STATED  
 THE CONTENTS OF THIS DRAWING ARE COPYRIGHT AND SHOULD NOT BE REPRODUCED WITHOUT THE PERMISSION OF DJH ENGINEERING



					QTY
			<b>DESCRIPTION</b>		DRG.
			FD513 Tye Pull Handle (64mm centres).		DATE
1	30/08/18		<b>LT REF.</b>	H:\Finess & Stonebridge Handle Hardware\Finesse/ Dim Dwgs\FD513.pdf	SCALE
<b>ISSUE</b>	<b>DATE</b>	<b>REVISION</b>	<b>MATL.</b>	Pewter	CODE
					N/A
					FD513