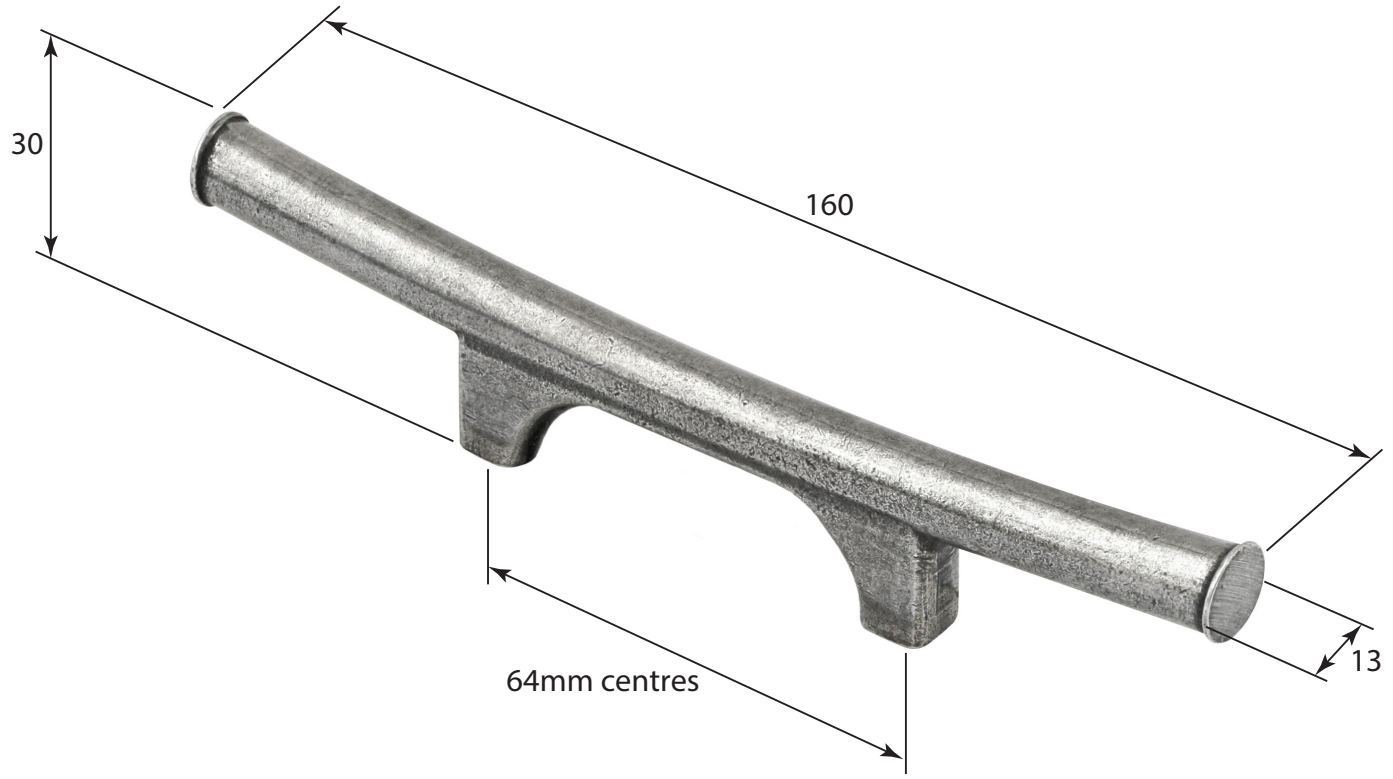


P/N. FD588 ALL DIMENSIONS IN
MM UNLESS STATED

THE CONTENTS OF THIS DRAWING ARE COPYRIGHT AND SHOULD NOT BE
REPRODUCED WITHOUT THE PERMISSION OF DJH ENGINEERING



						QTY	
				DESCRIPTION	DRG.	A. Liddle	
				FD588 Malmo Pull Handle (64mm centres)	DATE	20/08/18	
1	20/08/18		LT REF.	H:\Finess & Stonebridge Handle Hardware\Finesse\Dim Dwgs\FD588.pdf	SCALE	N/A	
ISSUE	DATE	REVISION	MATL.	Pewter	CODE	FD588	