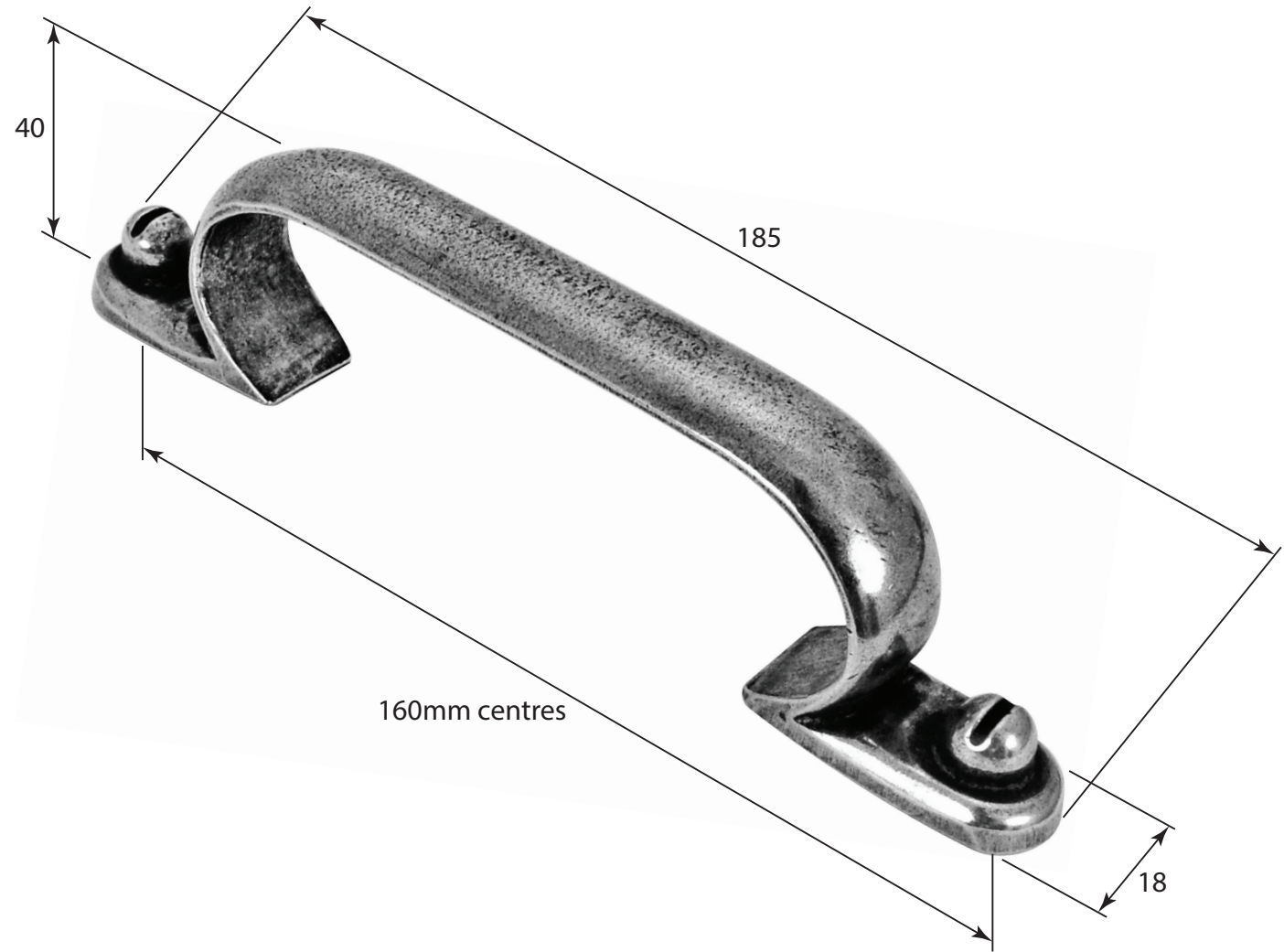


P/N. PPH036
 ALL DIMENSIONS IN
 MM UNLESS STATED
 THE CONTENTS OF THIS DRAWING ARE COPYRIGHT AND SHOULD NOT BE
 REPRODUCED WITHOUT THE PERMISSION OF DJH ENGINEERING



				QTY	
				DRG.	D. Urwin
				DATE	05/09/18
1	05/09/18		DESCRIPTION	SCALE	N/A
ISSUE	DATE	REVISION	LT REF.	H:\Finess & Stonebridge Handle Hardware\Finesse/ Dim Dwgs/PPH036.pdf	CODE
			MATL.	Pewter	PPH036