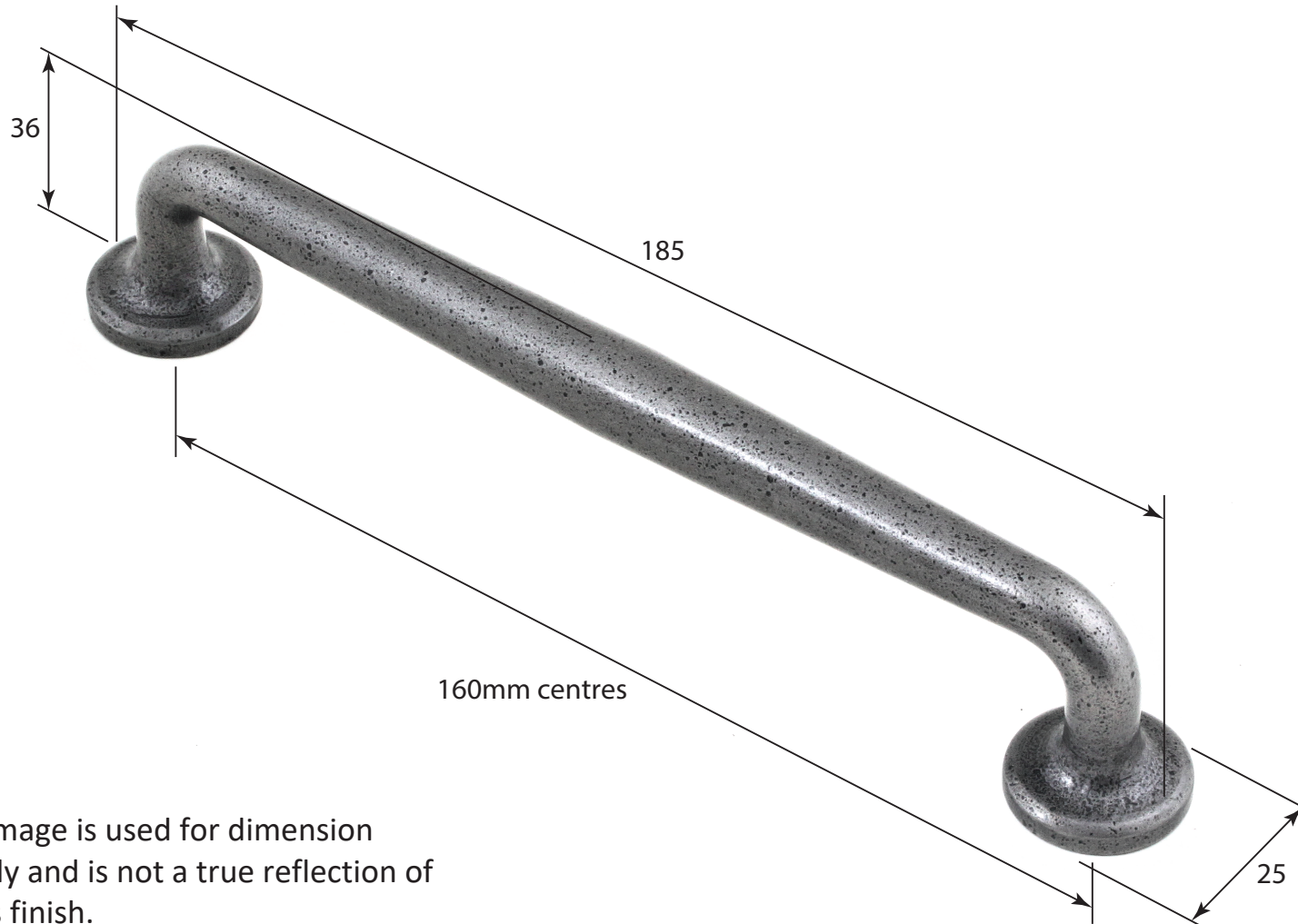


FB1098 & NFS958

ALL DIMENSIONS IN  
MM UNLESS STATED

THE CONTENTS OF THIS DRAWING ARE COPYRIGHT AND SHOULD NOT  
BE REPRODUCED WITHOUT THE PERMISSION OF DJH GROUP LTD



NOTE: This image is used for dimension purposes only and is not a true reflection of the products finish.

					QTY
		<b>FOR ACTUAL COLOUR REFER TO MAIN WEB PAGE FOR THIS ITEM.</b>	<b>DESCRIPTION</b>		DRG.
			Salisbury Pull Handle		DATE
1	03/10/18	<b>COLOUR HERE FOR DIMENSION PURPOSES ONLY.</b>	<b>LT REF.</b>	H:\Finess & Stonebridge Handle Hardware\Stonebridge-CAD\ Dim Dwgs/pdf	SCALE
<b>ISSUE</b>	<b>DATE</b>		<b>MATL.</b>	Forged Steel	<b>CODE</b>
					N/A
					FB1098 & NFS958