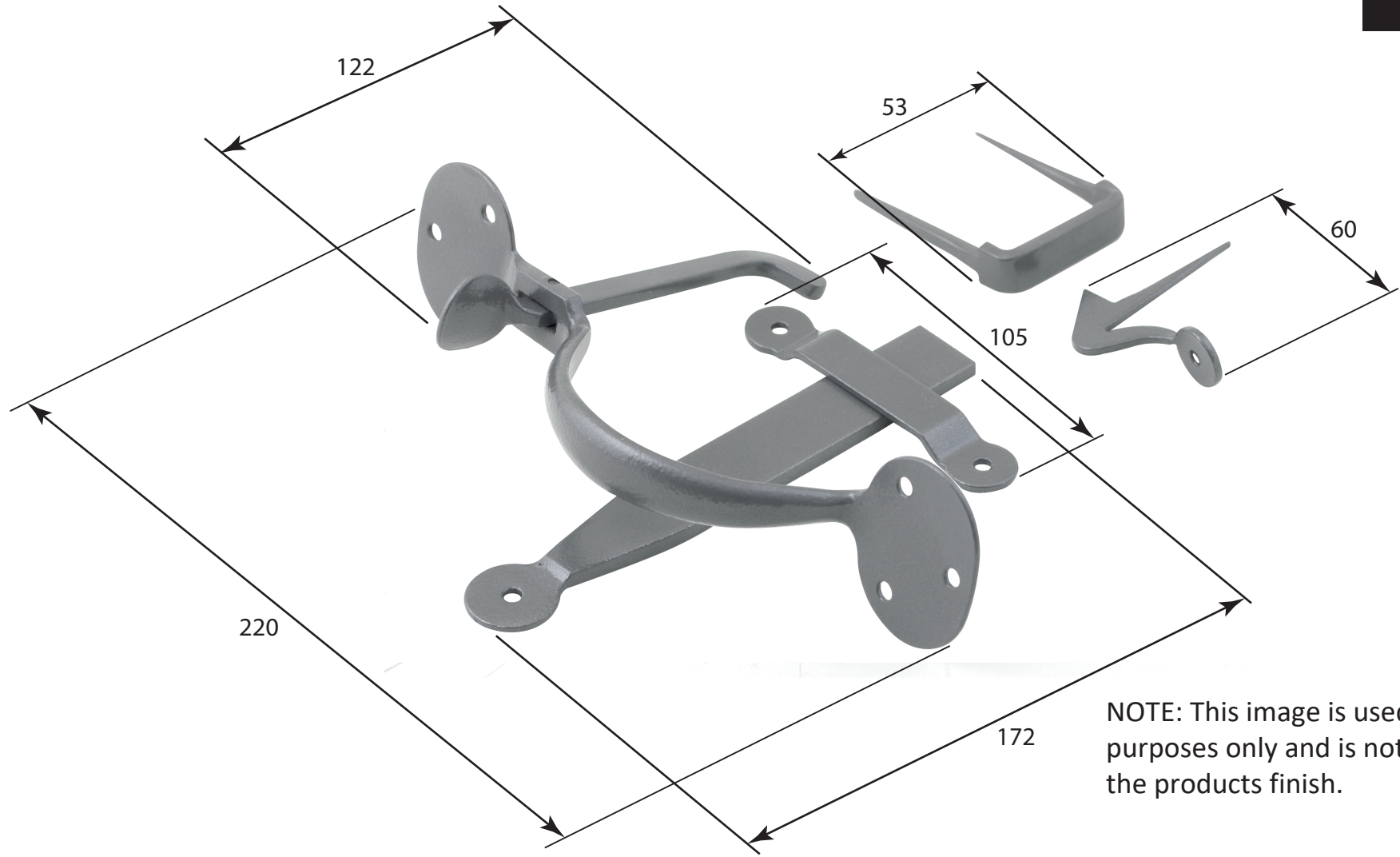


P/N. FB112 & NFS712
**ALL DIMENSIONS IN
 MM UNLESS STATED**
 THE CONTENTS OF THIS DRAWING ARE COPYRIGHT AND SHOULD NOT BE
 REPRODUCED WITHOUT THE PERMISSION OF DJH ENGINEERING



NOTE: This image is used for dimension purposes only and is not a true reflection of the products finish.

				QTY		
				DRG.	D. Urwin	
				DATE	03/10/18	
1	03/10/18		LT REF.	H:\Finess & Stonebridge Handle Hardware/Stonebridge-CAD/ Dim Dwgs/FB112&SS712.pdf	SCALE	N/A
ISSUE	DATE	REVISION	MATL.	Forged Steel (Flat Black -FB112 & Satin Steel - SS712)	CODE	FB112 & NFS712

DESCRIPTION
 Bean End Thumb Latch Set.