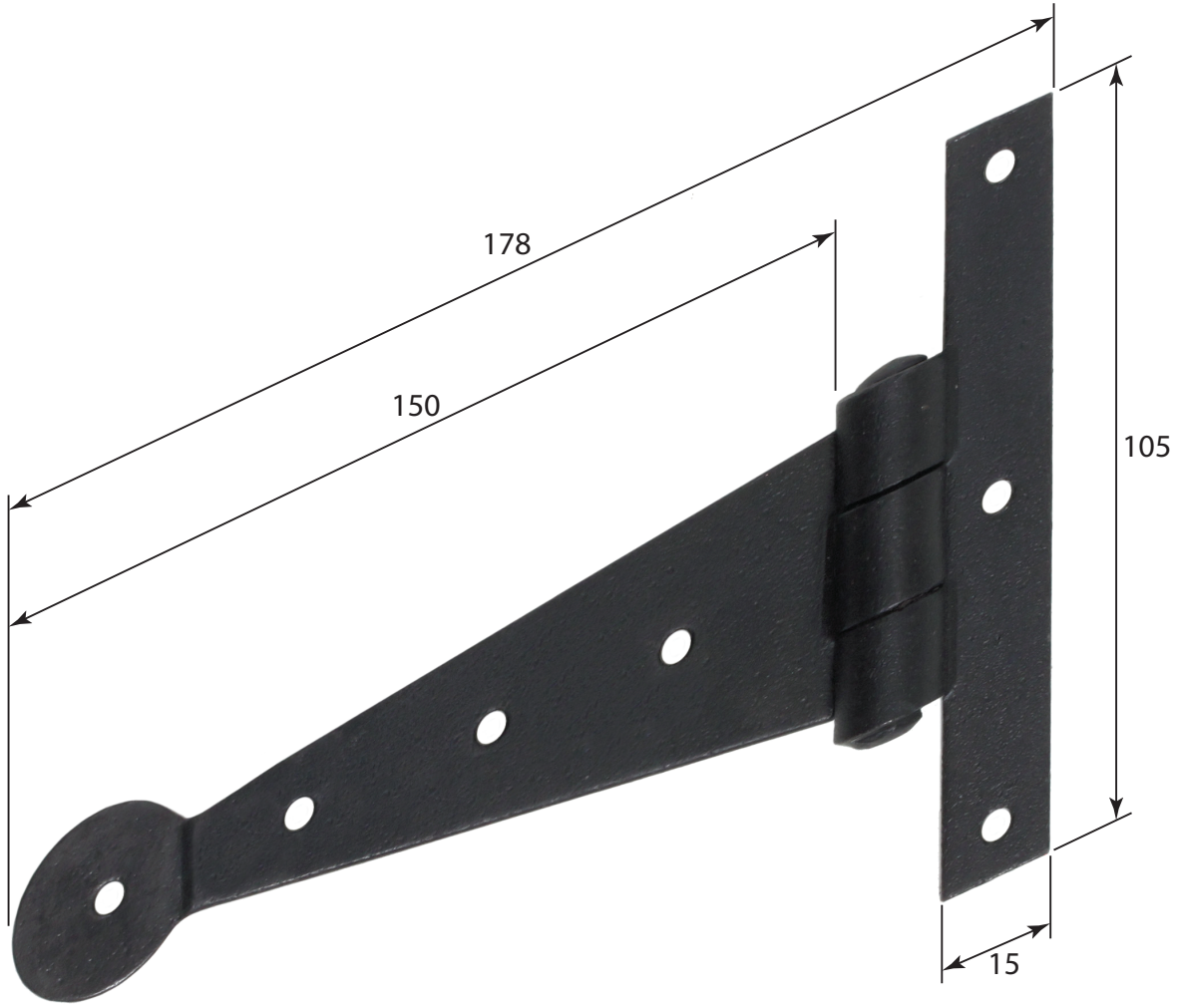


P/N.FB131 & NFS731 **ALL DIMENSIONS IN MM UNLESS STATED**

THE CONTENTS OF THIS DRAWING ARE COPYRIGHT AND SHOULD NOT BE REPRODUCED WITHOUT THE PERMISSION OF DJH ENGINEERING



						QTY	
			DESCRIPTION		DRG.	D. Urwin	
			Penny End Hinge		DATE	03/10/18	
1	03/10/18		LT REF.	H:\Finess & Stonebridge Handle Hardware/Stonebridge-CAD/ Dim Dwgs/SB-H-PE-131.pdf	SCALE	N/A	
ISSUE	DATE	REVISION	MATL.	Forged Steel	CODE	FB131 & NFS731	