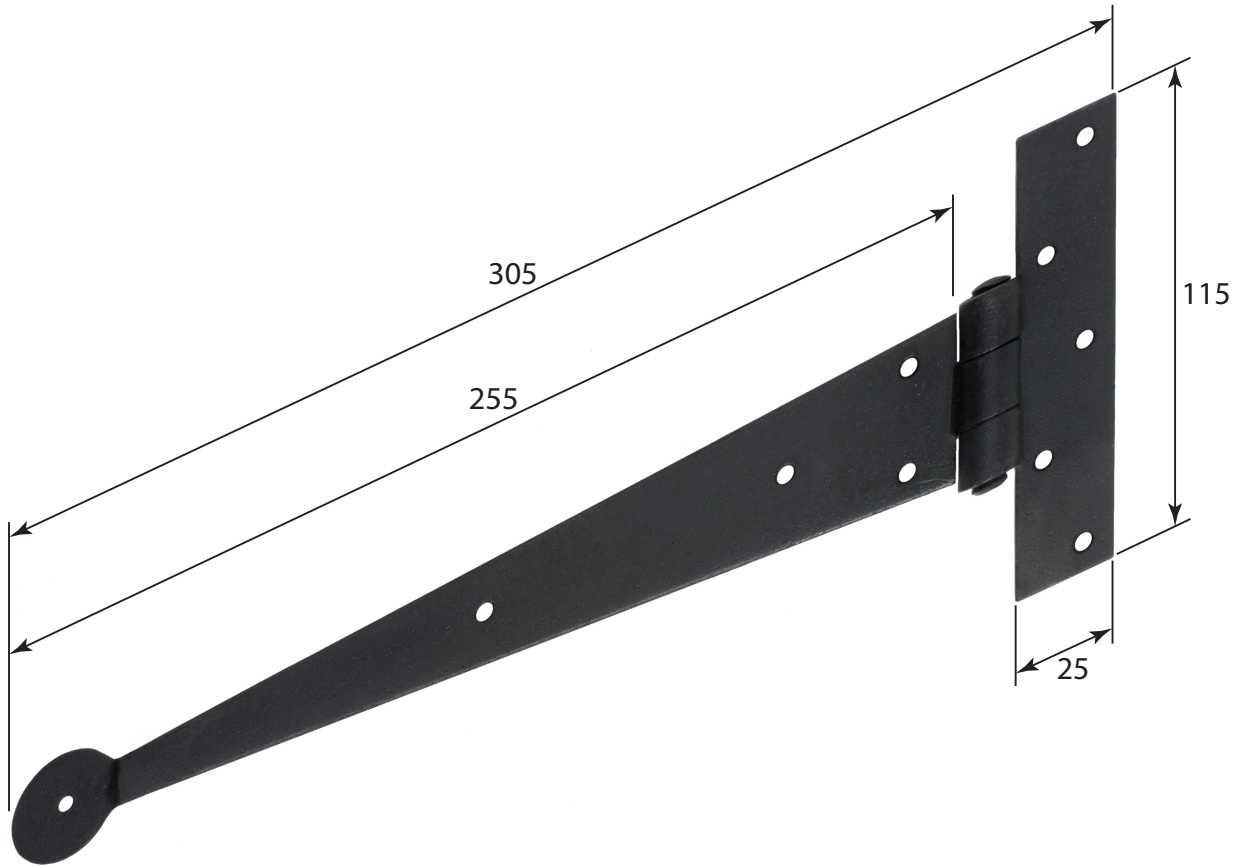


P/N, FB132 & NFS732 **ALL DIMENSIONS IN MM UNLESS STATED**

THE CONTENTS OF THIS DRAWING ARE COPYRIGHT AND SHOULD NOT BE REPRODUCED WITHOUT THE PERMISSION OF DJH ENGINEERING



				QTY	
			DESCRIPTION	DRG.	D. Urwin
			Penny End Hinge	DATE	03/10/18
1	03/10/18		LT REF.	SCALE	N/A
ISSUE	DATE	REVISION	MATL.	CODE	FB132 & NFS732
			H:\Finess & Stonebridge Handle Hardware\Stonebridge-CAD\ Dim Dwgs\SB-H-AH-132.pdf		
			Forged Steel		