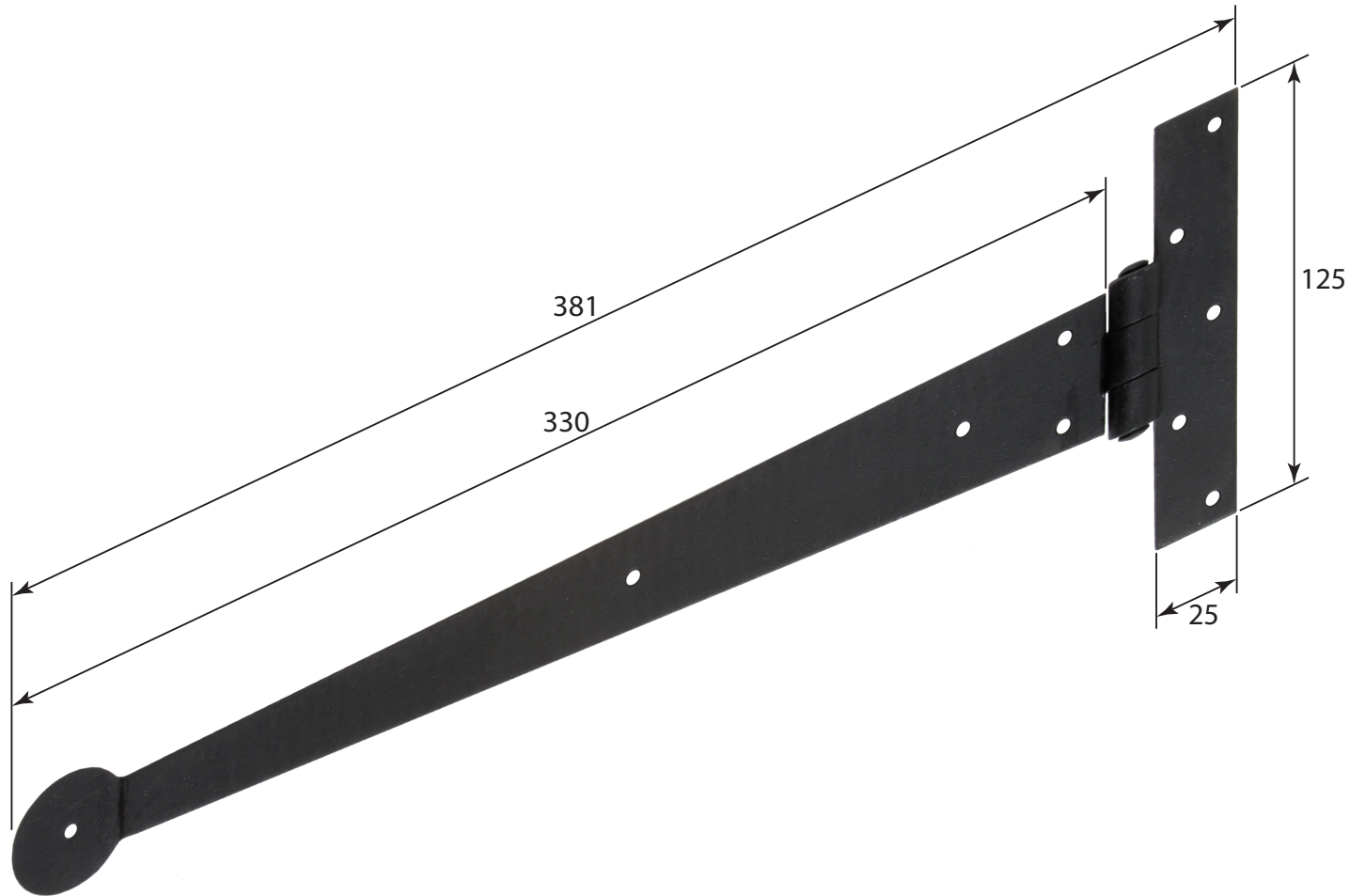


FB133 & NFS1203

ALL DIMENSIONS IN
MM UNLESS STATED

THE CONTENTS OF THIS DRAWING ARE COPYRIGHT AND SHOULD NOT BE
REPRODUCED WITHOUT THE PERMISSION OF DJH ENGINEERING



NOTE: FOR ACTUAL COLOUR REFER TO MAIN WEB PAGE FOR THESE ITEMS.
COLOUR SHOWN HERE IS FOR DIMENSION PURPOSES ONLY.

					QTY
			DESCRIPTION		DRG. D. Urwin
			Penny End Hinge		DATE 03/10/18
1	03/10/18		LT REF.	H:\Finess & Stonebridge Handle Hardware/Stonebridge-CAD/ Dim Dwgs\FB133&SS1203.pdf	SCALE N/A
ISSUE	DATE	REVISION	MATL.	Forged Steel	CODE FB133 & NFS1203